



# T Cast resin branch joint

for polymeric cables and conductors

Universally suitable for branching polymeric cables or conductors insulated with PVC, PE, XLPE and EPR (e.g. N(A)YY, NYM, TT) with or without concentric conductor. Suitable for branch clamps on copper and aluminium conductors.

### Characteristics

- Compact dimensions
- Splice area visible before casting
- High-quality transparent shockproof plastic shell
- Large filler aperture to facilitate casting
- Resistant to chemical agents
- Resistant to alkaline earth elements
- Stabilized against UV rays
- Longitudinally and transversely water-tight
- High electrical insulating values
- High mechanical strength
- Ready for immediate operation
- Quick and easy assembly saves time and reduces costs

### Application/Suitability

- Indoor
- Outdoor
- Underground
- Water
- Installation ducts

### Voltage level

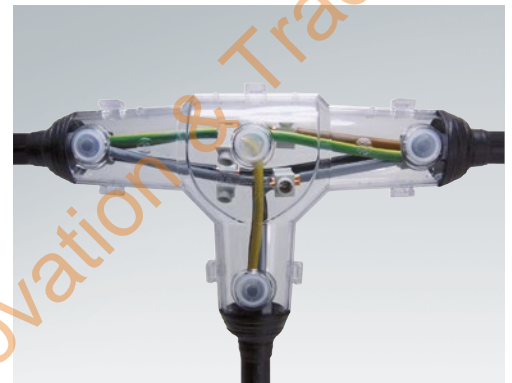
- $U_0/U (U_m)$  0.6/1 (1.2) kV

### Test standards

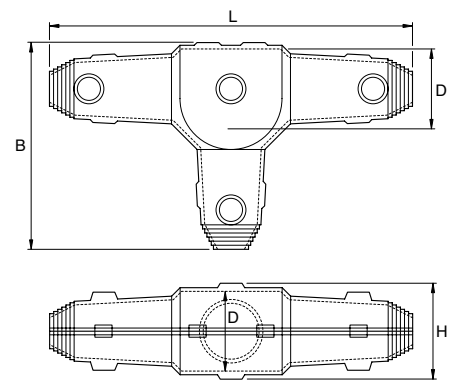
- DIN EN 50393 (corresponds to VDE 0278)

### Storage conditions/Shelf life

- Cast resin up to 40 months






### Dimensions



### Scope of delivery

Hydrolysis resistance PUR type EG cast resin (containing the correct volume ready for mixing), packed in practical and easy-to-use two-chamber bags, transparent plastic shell, fill and air-release funnels, PVC insulation tape, protective gloves, assembly instructions

Optional accessory: Screw branch clamp AK (see Connecting technology)  
 Branch clamp KP (see Connecting technology)  
 Split bolt clamp FK (see Connecting technology)  
 Cleaner UNIVERSAL CLEANER 121 (see Accessories)

Polymeric cable		
unarmoured		
		
3x	4x	5x

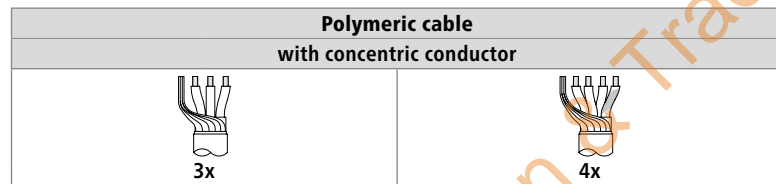
Type	L mm	B mm	D mm	H mm	max. Cable-Ø mm	max. Nominal cross section per conductor mm <sup>2</sup>						Art.-No.	
						Main cable	Branch cable	Main cable	Branch cable	Main cable	Branch cable		
T	1	240	138	50	60	22	10	10	6	6	4	4	131149
	2	267	154	60	70	30	25	25	16	10	10	10	133024
	2.5	310	183	75	85	37	50	50	35	16	16	10	131855
	3	354	212	90	100	42	70	70	50	25	25	16	131151
	4	432	262	110	125	52	120	120	95	50	50		131778
5	550	290	130	155	62	185	150	185	150	120		131854	

→ Continued on the next page



→ Continuation

**T** Cast resin branch joint



Type	L mm	B mm	D mm	H mm	max. Cable-Ø mm	max. Nominal cross section per conductor mm <sup>2</sup>				Art.-No.	
						Main cable	Branch cable	Main cable	Branch cable		
T	1	240	138	50	60	22	6/6	6/6			131149
	2	267	154	60	70	30	16/16	10/10	16/16	16/16	133024
	2.5	310	183	75	85	37	35/35	16/16	35/16	25/16	131855
	3	354	212	90	100	42	50/50	25/25	50/25	35/16	131151
	4	432	262	110	125	52	95/95	50/50	95/50	70/35	131778
5	550	290	130	155	62	185/185	70/70	150/70	95/50	131854	

Supplied by Digital Stout Innovation & Trading FZE