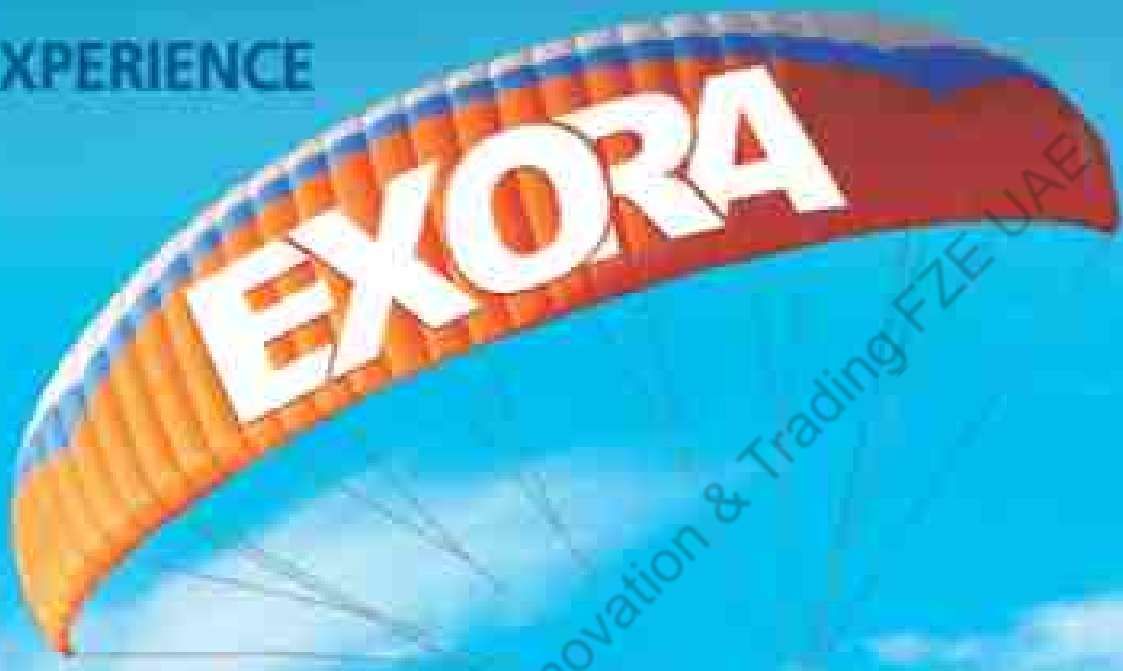


EXPERIENCE



Supplied by Digital Stout Innovation & Trading FZE UAE

A New Level of  
Modular Protection From L&T



10kA Modular Devices in L&T Range



# ABOUT L&T

Larsen & Toubro is a Technology, Engineering, Construction, Manufacturing and Services company with global operations.

It sustains leadership in its major lines of business through a customer-focused approach, an innovative culture and the ability to respond positively to challenging requirements.

L&T Electrical & Automation is India's largest switchgear company that manufactures and markets low and medium voltage switchgear products, electrical systems, energy meters and automation solutions.

Its products and solutions address the power distribution and control needs of industry, utility, infrastructure, buildings & homes and agriculture segments.

L&T promotes a culture of innovation and creation of intellectual property. Its products and solutions have been in use at many landmark installations of the country and continue to prove their high performance and reliability.

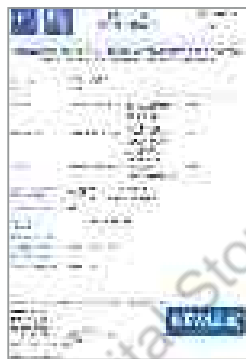
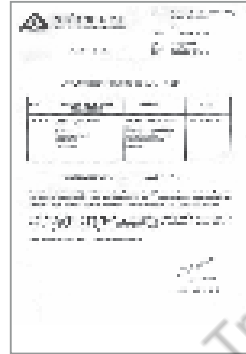


# EXORA

## L&T Modular Devices

L&T's range of modular devices offer MCB, RCCB, and Isolator for final distribution of electrical power.

L&T's products are known for reliability, functionality and ease of use.



L&T modular devices  
spell world class

L&T products conform to relevant global standards viz. IEC, EN. They also have BIS and CE marking, as well as CB and KEMA certification.

 |  |  |  | 

# L&T **EXORA**

L&T offers its new range of Modular Devices – **EXORA** – to ensure a safe environment around you. Protection and Control devices offered in this range provide safety at your home and at your workplace. Salient features of this range – Quick Break Mechanism, True Contact Position Indicator, Energy Limitation Class 3 – enhance safety of human lives and precious belongings.

Further, Low Watt loss of these products reduces the amount of electricity consumed and results in low electricity expense. Features such as Dual Termination and Two Position DIN Clip provide flexibility and ease of operation.



Supplied by Digital Innovation & Trading FZE UAE

# MODULAR DEVICES

---

## 1. Miniature Circuit Breakers (MCBs)

- 1. Features and Benefits
- 2. Ordering Information



1

---

## 2. Residual Current Circuit Breakers (RCCBs)

- 1. Features and Benefits
- 2. Ordering Information



7

---

## 3. Isolators

- 1. Features and Benefits
- 2. Ordering Information



11

---

## 4. Indicators

- 1. Features and Benefits
- 2. Ordering Information



15

---

## 5. Energy Meter – DIN-Rail Meters

- 1. Features and Benefits
- 2. Ordering Information



16

---

## 6. Time Switches

- 1. Features and Benefits
- 2. Ordering Information



18

---

## 7. Surge Protection Devices (SPDs)

- 1. Features and Benefits
- 2. Ordering Information



24

---

## Technical Index

27

# MCB (10kA)

## Miniature Circuit Breaker

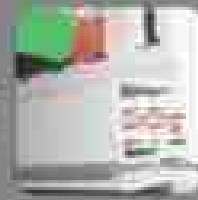


The MCB is a vital protection device. It is essential in every electrical installation to safeguard both your life and valuable property against short circuit and overload.

## Features and Benefits

- Conforms to IS/IEC 60898-1
- Breaking capacity of 10 kA – better protection for cables and equipment
- Tripping curves B, C & D
- Energy limitation Class 3 allows low let-through energy in the system
- Unique patented design gives both label holder and true contact indication facility for individual poles
- Low watt loss – almost 50% of the values prescribed by IEC 60898-1– saves energy
- Trip free mechanism to ensure maximum safety
- Design based on advanced current limiting hammer trip mechanism ensures quick breaking
- No line load bias gives flexibility for incomer supply termination on either sides
- Accessories – wide range of accessories like aux contacts, u/v release and shunt release
- True contact indication – enhanced safety
- DC MCB as per IEC 60947-2 : Rated Voltage: 130 V DC (for SP), 250 V DC (for DP)\*

Terminals suitable  
up to 35 sq mm cable



2-position DIP-Ball clip  
- ease of installation

Dual Termination



True Contact  
Indication -  
enhanced safety



Lock Hall sensor



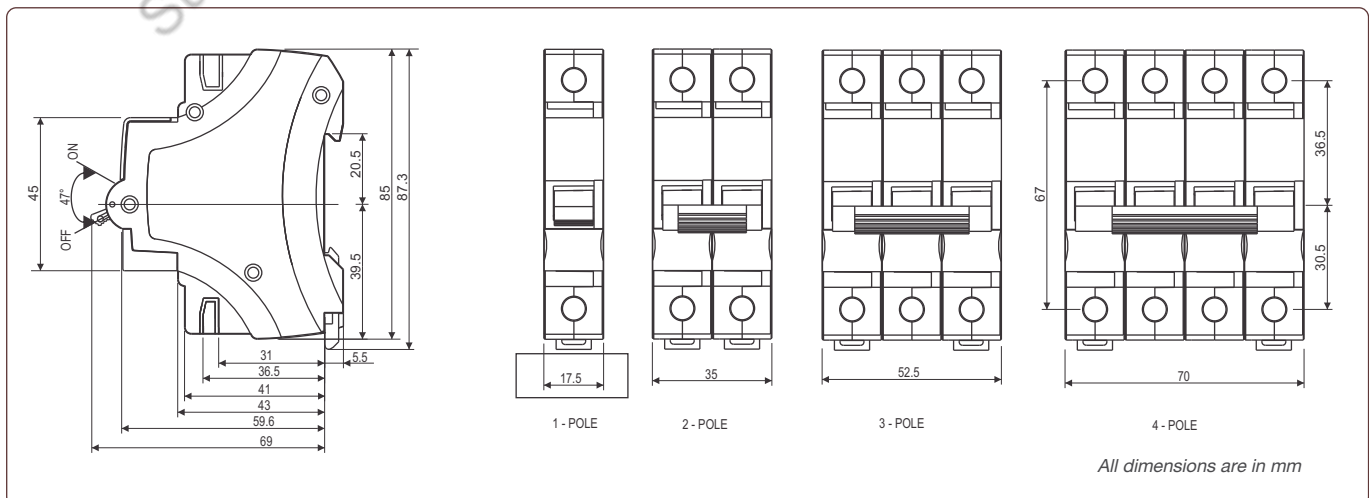
IP-20 Finger proof terminals - eliminate  
chances of accidental contact

Supplied by Digital Stout Innovation & Trading FZE UAE

## Technical Specifications – MCB

Specification	IS / IEC 60898	DC MCBs - IEC 60947-2
Current Rating	0.5, 1, 2, 3, 4, 6, 10, 16, 20, 25, 32, 40, 50, 63A	0.5, 1, 2, 3, 4, 6, 10, 16, 20, 25, 32, 40, 50, 63A
Number of Poles	Single-Pole (SP), Double-Pole (DP), Three-Pole (TP) and Four-Pole (FP)	Single-Pole (SP), Double-Pole (DP)
Electro Thermal Characteristic	B, C and D curve	-
Breaking Capacity	10 kA	6kA (1 Break/Pole)
Rated Voltage	240 / 415 V AC	130V DC - Single Pole 250V DC - Double Pole
Current Limitation Class	3	-
Frequency	50 to 60 Hz	-
Rated Impulse Voltage	4 kV	
Minimum Operating Voltage	24 V AC	24 V DC
Degree of Protection	IP 20	
Termination	Dual termination on both the sides (Cable and Busbar)	
Applied Connection Torque	6 N m	
Permissible Ambient Temp.	- 5° C to + 55° C	
Calibration Temperature	30° C	
Mechanical Life (operating cycles)	>100,000	
Electrical Life (operating cycles)	20,000 (cos Ø = 0.85 to 0.9) 6A to 32A 10,000 (cos Ø = 0.85 to 0.9) for 40A to 63A	As per IEC 60947-2
Mounting Position	Horizontal/Vertical/Flat	
Mounting	Snap fixing on standard profile 35 X 7.5mm DIN-Rail as per EN 50022	

## Dimensions





## Single-Pole (SP)



Current Rating (In)	Modules 1 Mod=17.5mm	B-Curve Cat. Nos.	C-Curve Cat. Nos.	D-Curve Cat. Nos.	DC MCBs Cat. Nos.
0.5A	1	BB10E50B	BB10E50C	BB10E50D	BB10E5DC
1A	1	BB10010B	BB10010C	BB10010D	BB1001DC
2A	1	BB10020B	BB10020C	BB10020D	BB1002DC
3A	1	BB10030B	BB10030C	BB10030D	BB1003DC
4A	1	BB10040B	BB10040C	BB10040D	BB1004DC
6A	1	BB10060B	BB10060C	BB10060D	BB1006DC
10A	1	BB10100B	BB10100C	BB10100D	BB1010DC
16A	1	BB10160B	BB10160C	BB10160D	BB1016DC
20A	1	BB10200B	BB10200C	BB10200D	BB1020DC
25A	1	BB10250B	BB10250C	BB10250D	BB1025DC
32A	1	BB10320B	BB10320C	BB10320D	BB1032DC
40A	1	BB10400B	BB10400C	BB10400D	BB1040DC
50A	1	BB10500B	BB10500C	BB10500D	BB1050DC
63A	1	BB10630B	BB10630C	BB10630D	BB1063DC

## Double-Pole (DP)



Current Rating (In)	Modules 1 Mod=17.5mm	B-Curve Cat. Nos.	C-Curve Cat. Nos.	D-Curve Cat. Nos.	DC MCBs Cat. Nos.
0.5A	2	BB20E50B	BB20E50C	BB20E50D	BB20E5DC
1A	2	BB20010B	BB20010C	BB20010D	BB2001DC
2A	2	BB20020B	BB20020C	BB20020D	BB2002DC
3A	2	BB20030B	BB20030C	BB20030D	BB2003DC
4A	2	BB20040B	BB20040C	BB20040D	BB2004DC
6A	2	BB20060B	BB20060C	BB20060D	BB2006DC
10A	2	BB20100B	BB20100C	BB20100D	BB2010DC
16A	2	BB20160B	BB20160C	BB20160D	BB2016DC
20A	2	BB20200B	BB20200C	BB20200D	BB2020DC
25A	2	BB20250B	BB20250C	BB20250D	BB2025DC
32A	2	BB20320B	BB20320C	BB20320D	BB2032DC
40A	2	BB20400B	BB20400C	BB20400D	BB2040DC
50A	2	BB20500B	BB20500C	BB20500D	BB2050DC
63A	2	BB20630B	BB20630C	BB20630D	BB2063DC

## Triple-Pole (TP)



Current Rating (In)	Modules 1 Mod= 17.5mm	B-Curve Cat. Nos.	C-Curve Cat. Nos.	D-Curve Cat. Nos.
0.5A	3	-	BB30E50C	BB30E50D
1A	3	-	BB30010C	BB30010D
2A	3	-	BB30020C	BB30020D
3A	3	-	BB30030C	BB30030D
4A	3	-	BB30040C	BB30040D
6A	3	BB30060B	BB30060C	BB30060D
10A	3	BB30100B	BB30100C	BB30100D
16A	3	BB30160B	BB30160C	BB30160D
20A	3	BB30200B	BB30200C	BB30200D
25A	3	BB30250B	BB30250C	BB30250D
32A	3	BB30320B	BB30320C	BB30320D
40A	3	BB30400B	BB30400C	BB30400D
50A	3	BB30500B	BB30500C	BB30500D
63A	3	BB30630B	BB30630C	BB30630D

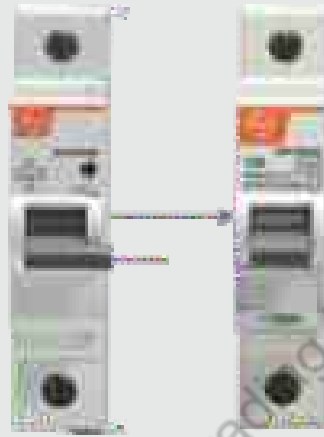
## Four-Pole (FP)



Current Rating (In)	Modules 1 Mod= 17.5mm	B-Curve Cat. Nos.	C-Curve Cat. Nos.	D-Curve Cat. Nos.
0.5A	4	-	BB40E50C	BB40E50D
1A	4	-	BB40010C	BB40010D
2A	4	-	BB40020C	BB40020D
3A	4	-	BB40030C	BB40030D
4A	4	-	BB40040C	BB40040D
6A	4	BB40060B	BB40060C	BB40060D
10A	4	BB40100B	BB40100C	BB40100D
16A	4	BB40160B	BB40160C	BB40160D
20A	4	BB40200B	BB40200C	BB40200D
25A	4	BB40250B	BB40250C	BB40250D
32A	4	BB40320B	BB40320C	BB40320D
40A	4	BB40400B	BB40400C	BB40400D
50A	4	BB40500B	BB40500C	BB40500D
63A	4	BB40630B	BB40630C	BB40630D

# Auxiliaries and Accessories

## 10 kA MCBs



L&T MCBs can be fitted with a wide range of accessories like the auxiliary contact, shunt and under voltage release.

### Auxiliary & Accessories for 10kA MCBs

Description	Cat. Nos.
Auxiliary Contact – 6A (1NO+1NC), 1/2 module	BZA11006
Shunt Release – 240V AC, 1 module	BZS00240
Trip Alarm Contact - 240V AC, (1NO + 1NC), 1/2 module	BZT11006

# RCCB

## Residual Current Circuit Breaker



Residual Current Circuit Breakers provide protection against earth leakage fault. They ensure safety of human life in case of earth leakage fault and protection against electric shock.

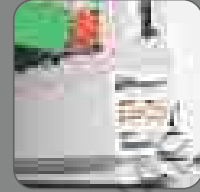
## Features and Benefits

- Conforms to IS 12640-(Part 1), IEC 61008-1
- Short circuit withstand capacity 10kA
- L&T RCCBs are available in DP and FP versions from 25A to 100A ratings with 30mA, 100mA and 300mA sensitivity
- Truly current operated – operation even at low voltage
- Operates on Core Balance Current Transformer (CBCT) principle
- Neutral advance mechanism ensures complete protection
- Finger-proof terminal (IP20)
- Bi-connecting terminals

# Protection Devices – RCCB



Finger-proof terminal – IP 20



Dual Termination – suitable for Bus-bar and / or wire up to 50 sq mm



Test button – Facilitates to check healthiness of device by creating an artificial electrical fault



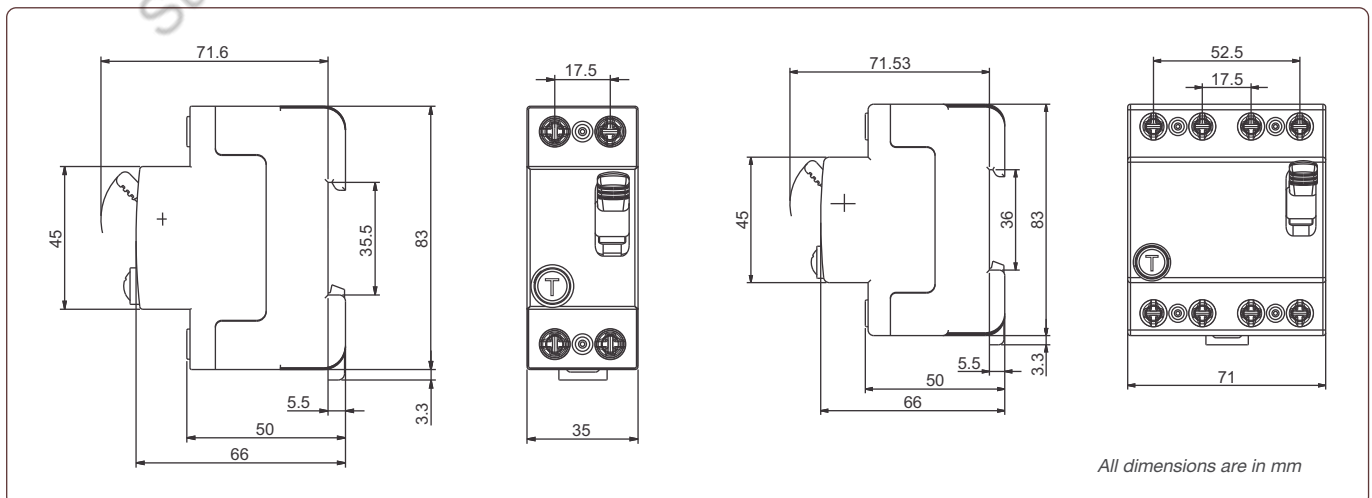
Combi-head screws – allows use of standard as well as Philips head screwdriver

## Technical Specifications – RCCB

Specification	IS 12640 – Part 1 / IEC 61008-1
RCCB Type	AC
Rated Current ( In ) – A	25, 40, 63, 100
Operating Sensitivity – mA	30, 100, 300
No. of Poles	2 and 4 Pole
Rated Voltage	240/415 V AC
Rated Frequency	50/60 Hz
Rated Insulation Voltage	600 V
Rated Impulse Withstand Voltage	4kV
Rated Conditional Short Circuit Current	10 kA
Degree of Protection	IP 20
Terminal Capacity	50 sq. mm
Termination	Dual termination (cable and busbar)
Operating Temperature	-5°C to + 55°C
Mounting Arrangement	Snap-fit on 35 mm Din-Rail

\* For back-up short circuit protection device, please refer to page no. 38

## Dimensions



Current Rating (In)	Sensitivity	Modules 1 Mod= 17.5mm	Cat Nos.
25A	30mA	2	BG202503
	100mA	2	BG202510
	300mA	2	BG202530
40A	30mA	2	BG204003
	100mA	2	BG204010
	300mA	2	BG204030
63A	30mA	2	BG206303
	100mA	2	BG206310
	300mA	2	BG206330
100A	30mA	2	BG210003
	100mA	2	BG210010
	300mA	2	BG210030

## Double-Pole (DP)



Current Rating (In)	Sensitivity	Modules 1 Mod= 17.5mm	Cat Nos.
25A	30mA	4	BG402503
	100mA	4	BG402510
	300mA	4	BG402530
40A	30mA	4	BG404003
	100mA	4	BG404010
	300mA	4	BG404030
63A	30mA	4	BG406303
	100mA	4	BG406310
	300mA	4	BG406330
100A	30mA	4	BG410003
	100mA	4	BG410010
	300mA	4	BG410030

## Four-Pole (FP)



# ISOLATORS



Isolators are used in electrical installations to make, carry and break circuit current. The Isolator ensures that the circuit remains completely de-energised i.e. there will be no current at the load side even if the impulse voltage appears when the isolator is OFF.

## Features and Benefits

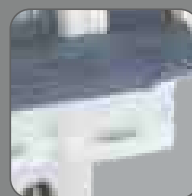
- Conforms to EN/IEC 60947-3
- Suitable for AC22-A utilization category
- Available in DP, TP and FP versions in 40A, 63A, 80A and 100A ratings
- Easy mounting due to two-position DIN-Rail clip
- Combi-head screws – allows use of multiple screwdrivers
- True contact indication – enhances safety
- CE and KEMA certified



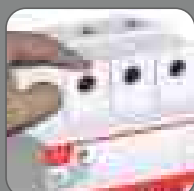
Terminals suitable up to 35 sq mm cable and dual termination



2 position DIN-Rail clip – ease of installation



True Contact Indication – enhanced safety

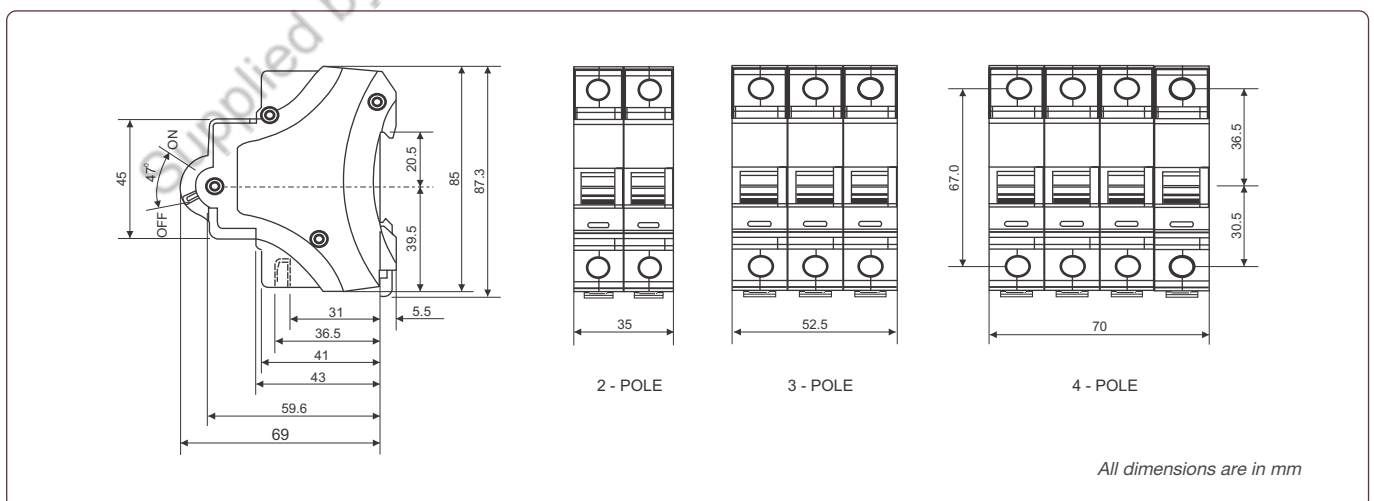


IP-20 Finger-proof terminals – eliminate chances of accidental contact

## Technical Specifications – ISOLATORS

Specification	EN / IEC 60947 – 3
Rated Current (In)	40A, 63A, 80A, 100A
No. of Poles	2, 3 and 4
Rated Operational Voltage (AC)	240/415 V
Rated Frequency	50 Hz
Rated Insulation Voltage	500 V
Rated Impulse Voltage	4 kV
Utilization Category	AC 22A
Degree of Protection	IP 20
Terminal Capacity	35 sq. mm
Operating Temperature	-5°C to + 50°C
Mounting Arrangement	Snap-fit on 35 mm DIN rail
Rated Short Time Withstand Current	12 I <sub>n</sub> , 1 sec

## Dimensions



## Double Pole (DP)



Current Rating (In)	Modules 1Mod = 17.5mm	Cat. Nos
40	2	BF204000
63	2	BF206300
80	2	BF208000
100	2	BF210000

Current Rating (In)	Modules 1Mod = 17.5mm	Cat. Nos.
40	3	BF304000
63	3	BF306300
80	3	BF308000
100	3	BF310000

## Triple Pole (TP)



## Four Pole (FP)



Current Rating (In)	Modules 1Mod = 17.5mm	Cat. Nos.
40	4	BF404000
63	4	BF406300
80	4	BF408000
100	4	BF410000

# Indicators



Modular indicator gives indication of status of supply in electrical networks

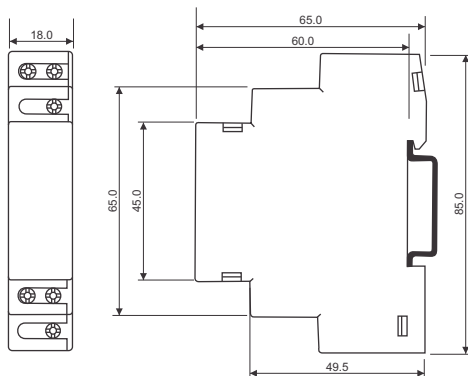
## Features and Benefits

- Modular design, fits on DIN channel
- Very low power consumption
- LED technology, long life
- 3-in-1 Indicator

## Technical Specifications

Specification	
Supply Voltage	240V AC
Power Consumption	1.8W
Frequency	50/60Hz
Operating Temperature	-10°C to +55°C
Ingress Protection	IP 20

## Dimensions



## Ordering Information

Description	Cat. Nos.
Red – Single phase indicator	MM1NDV04
Yellow – Single phase indicator	MM1NDW04
Blue – Single phase indicator	MM1NDX04
Red, Yellow & Blue – Three phase indicator	MM3ND04

# Energy Meter

## DIN Rail Meters



mi-Energy™ is L&T's DIN-Rail mounted meter. Available in 3 phase and 1 phase models, these meters can be mounted inside distribution boxes to monitor electric consumption of identified loads, circuits and areas.

## Features and Benefits

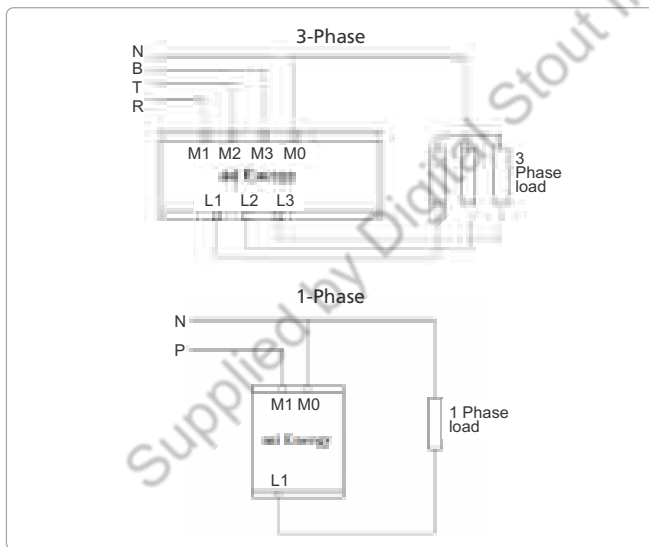
- LCD display
- Class 2 accuracy
- Displays day, week, month and push-to-push kWh consumption
- Push button for parameter scrolling
- Low starting current
- Reverse current indication\*
- Compact size and easy mounting

\*for 3-phase meter

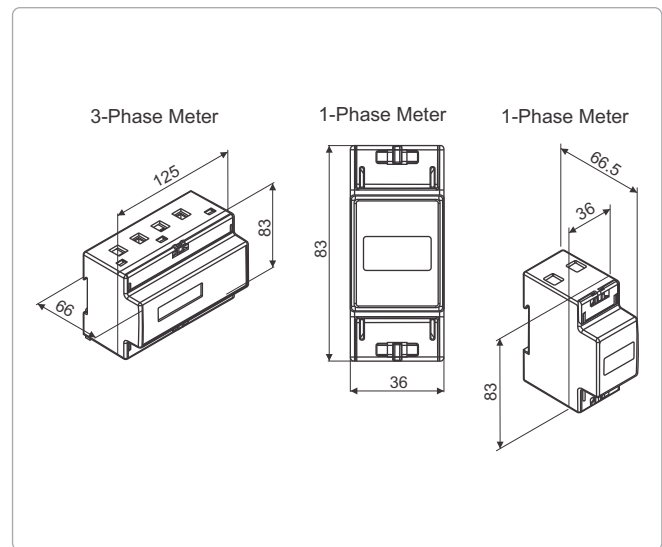
## Technical Specifications

Display	Type	6 digit LCD
	Height	6 mm (10mm in case of 3-Phase meter)
Measuring Circuit	Class of accuracy	Class 2 as per IEC 62053-21
	Measurement circuit burden	<1W, <8VA
	Rated Voltage	240 V
	Current	3-phase: 10-60A 1-phase: 5-30A
	Starting current	3-phase: 40mA 1-phase: 20mA
	Voltage range for class of accuracy	-30% to +20% of rated voltage
	Current range for class of accuracy	5% $I_b$ to $I_{max}$
	Input frequency range	50Hz $\pm$ 5%

## Wiring Diagram



## Dimensional Details



## Ordering Information

	Pack Qty.	Cat. No.
3-phase 4-wire 240V 10-60 A	Single	W4DLD100600
	Bulk Pack (20 nos.)	W4DLD10060B
1-phase 2-wire 240V 5-30 A	Single	W2DLD050600
	Bulk Pack (20 nos.)	W2DLD05060B

# Analog Time Switch



Time switches are used for fixed time based daily /weekly applications. They are ideal for lighting applications and are also used to control air conditioners / coolers, geysers, pumps and exhaust fans, etc.

## Features and Benefits

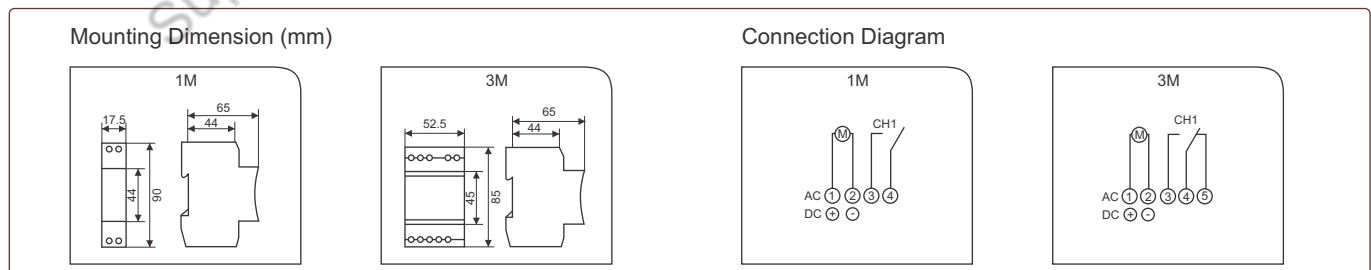
- Modular construction
- Power reserve up to 150 hrs
- Inbuilt over-ride facility
- 1 NO for 1 module and 1 changeover contact for 3 modules

Supplied by Digital Stout Innovation & Trading

## Technical Specifications

Type	1M	3M
Parameters		
Supply Voltage	230 V AC/110 V DC	230 V AC/130 V DC
Power Consumption	1 VA	
AC Switching Capacity		
Resistive Load	16A/250 V AC	
Inductive Load ( Cos $\phi$ =0.6)	4A/250 V AC	
Incandescent Lamp Load	1000W	
Switching Output	Potential-free	
Switch Contacts	1 NO	1C/O
Protection Class	II	
Protection Type	IP 20	
Accuracy	2.5 sec/day at +20°C	
Power Reserve (hours)	50	150
Charging Time (hours)	100	70
Shortest Switching Time		
Day Program (mins.)	30	30
Week Program (mins.)	N A	180
Manual Switch	Automatic/Fixed On	Automatic/Fixed On/Fixed Off
Connection Type	Captive $\pm$ Screw Terminals	
Ambient Temperature	-20° to + 55°C	
Sealable	YES	
Dimensions (HXWXD) mm	17.5 X 90 X 60	52.5 X 85 X 65
Weight (g) Approx.	110	170

## Dimensions



Description	Cat. Nos.
1 Mod time switch	J6107B204
3 Mod time switch	J6118B304



# Digital Time Switch



Digital time switch provides ease and flexibility of programming precisely with battery reserve of 6 years.

## Features and Benefits

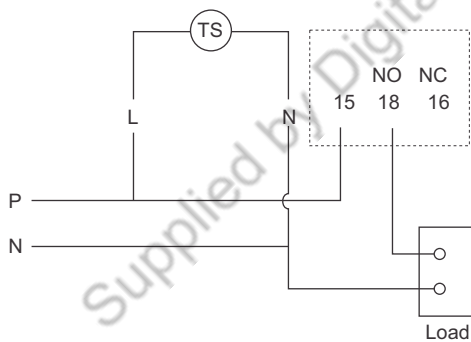
- Precise time programming for daily/weekly/pulse applications
- 25 ON/OFF programs
- Weekend exclusion and weekly OFF programming
- LED indication for relay status
- 12/24-hour display format
- 6-year battery reserve
- Simple reset and manual override
- Settable DST and keypad lock feature

## Technical Specifications

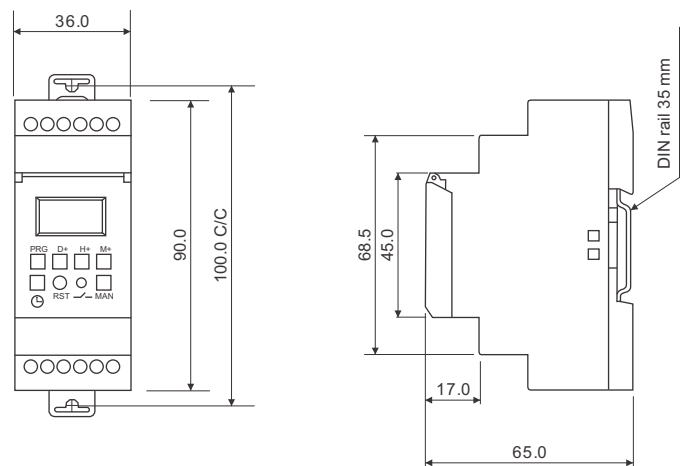
Specification	Crono	Pulse
Voltage Supply	110-240 V AC	
Consumption	6 VA	
Output	1 C/O	
Switching Capacity	16 A (For NO) & 5 A (for NC)	
Accuracy	± 2 sec per day maximum	
Supply failure reserve	6 years	
Manual override	Yes	
Ingress protection	IP20 for terminals, IP 40 for enclosure	
Working temperature	-10°C to +55°C	
Switching time	1min	1sec
LED Indication	Red LED for relay status	
No. of memory locations	25 ON / OFF programs	16 ON programs

## Dimensions

### Connection Diagrams



### Overall Dimensions



## Ordering Information

Description	Cat. No.
Crono time switch, 110 – 240 V AC (50/60 Hz), 1 C/O (SPDT)	67DDT0
Pulse time switch, 110 – 240 V AC (50/60 Hz), 1 C/O (SPDT)	67DDT9

# Astronomical Time Switch



L&T time switches with astronomical features are available in two module sizes. They are ideal for street lighting applications with guaranteed energy savings.

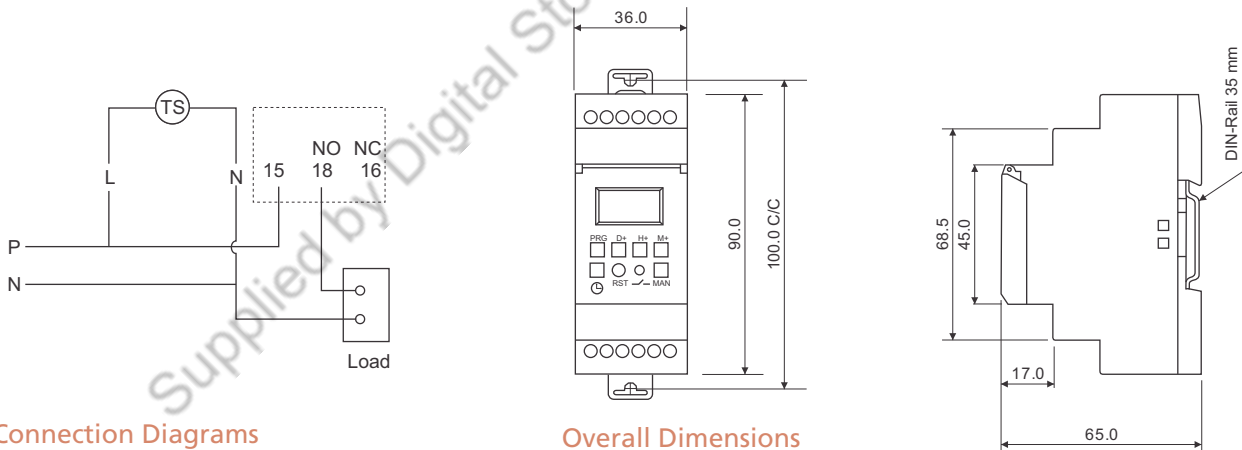
## Features and Benefits

- Astronomical time switch in 35 mm size
- Latitude / longitude precise to the minute with time zone
- Sunrise / sunset or twilight rise / set trigger modes
- DST, Offset, OFF hours, weekly OFF features
- 12/24-hour display format
- 6-year battery reserve
- Easy manual override
- Ideal for outdoor and street lighting application

## Technical Specifications

Specification	
Version	Astro Mini (2 Mod)
Voltage Supply	110-240 V AC
Consumption	6VA
Output	1 C/O
Switching Capacity	16A NO and 5A NC
Accuracy	± 2 sec per day maximum
Supply failure reserve	6 years
Manual override	Yes
Ingress protection	IP20 for terminals, IP 40 for enclosure
Working temperature	-10°C to + 55°C
Modes	Auto ON, Auto OFF, Auto
LED Indication	Red LED for relay status

## Dimensions



Connection Diagrams

Overall Dimensions

## Ordering Information

Description	Cat. Nos.
Astro Mini, 110 – 240 V AC 1 Phase 2 Wire (50/60 Hz), 1 C/O (SPDT)	T2DDT7

# SPD

## Surge Protection Device



SPD is a device that shields electrical / electronic circuits or equipment from a sudden and destructive increase (surge) in the line voltage caused usually by direct lightning strikes, indirect lightning strikes, or due to faults in house operational devices and other switching.

## Features and Benefits

- Visual Life indicator
- Remote monitoring capability
- Response time of less than 25ns
- Available in Type 1+2 & Type 2
  - Type 1+2: Protect against direct & indirect lightning surges
    - Nominal Discharge Current - In 20kA
    - Maximum Discharge Current - I<sub>max</sub> 50kA
  - Type 2 - Protection against indirect lightning and switching surges
    - Maximum Discharge Current - I<sub>max</sub> 40kA and 15kA

## Technical Specifications

	Type - 2				Type - 1+2	
	1P+N, 40kA	3P+N, 40kA	1P+N, 15kA	3P+N, 15kA	1P+N	3P+N
<b>Specification</b>						
AC Network	230/400V					
Maximum operating voltage $U_c$	320 Vac				440 Vac	
TOV withstand $U_T$	770 Vac					
Operating Current $I_c$	<1 mA					
Nominal Discharge Current $I_n$ 15X 8/20 micro second	20kA		5kA		20kA	
Maximum Discharge Current $I_{max}$ Maximum withstand 8/20 micro second	40kA		15kA		50kA	
Maximum Discharge Current $I_{imp}$ Maximum withstand 10/350 micro second	-				12.5kA	
Protection Level $U_p$	1.1kV				1.7kV	
Admissible short circuit current	10000A				25000A	
Terminal Capacity	L/N 1.5-10 sq mm and 2.5 -25 sqmm (PE)				4-25 Sq mm / bus bar termination	
Disconnection Indicator	2 mechanical indicator				1 mechanical indicator	
Mounting	DIN rail mounting					
Operating Temperature	-40° C to 85° C					
Protection Class	IP 20					
Standard Compliance	IEC 61643-11					
Dimension (HxWxD)	90 mm x 18 mm x 67mm	90 mm x 36 mm x 67mm	90 mm x 18 mm x 67mm	90 mm x 36 mm x 67mm	90 mm x 18 mm x 67mm	90 mm x 36 mm x 67mm

## Ingress Protection (IP)

The protection of enclosures against ingress of dirt or against the ingress of water is defined in IEC 529 (BSEN60529:1991). Conversely, an enclosure which protects equipment against ingress of particles will also protect a person from potential hazards within that enclosure, and this degree of protection is also defined as a standard.

The degrees of protection are most commonly expressed as 'IP' followed by two numbers, e.g. IP65, where the numbers define the degree of protection.

### 1st Digit Protection against Human Contact/ Protection against Foreign Bodies

No special protection

With back of hand / large foreign bodies, diam. >50mm

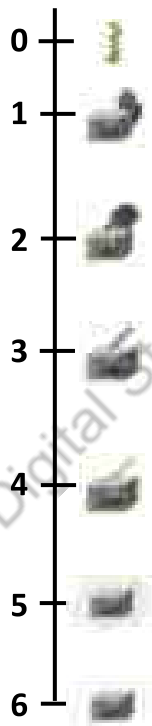
With a finger / medium-sized foreign bodies, diam. >12.5mm

With tools and wires etc. with a thickness >2.5mm / small foreign bodies, diam. >2.5mm

With tools and wires etc. with a thickness >1mm / granular foreign bodies, diam. >1mm

Complete protection / dust protected

Complete protection / dust-proof



### 2nd Digit Protection against Water Ingress

No special protection

Water dripping vertically

Water dripping at an angle (up to 15 degrees from the vertical)

Spray water (any direction up to 60 degrees from the vertical)

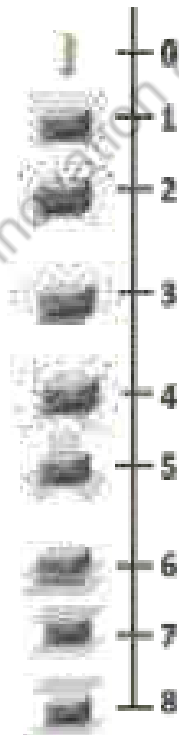
Spray water from all directions

Water jets from a nozzle in all directions

High pressure jets

Temporary immersion

Permanent immersion



# TECHNICAL INDEX

## **1. Basics of Electrical System and General Electrical Practices**

- 1.1 Types of faults
  - 1.2 Safety requirement
- 

## **2. Earthing Systems**

- 2.1 Types of Earthing systems
  - 2.2 Comparison of Earthing systems
  - 2.3 Choice of Earthing
- 

## **3. Miniature Circuit Breaker (MCB)**

- 3.1 Selection of MCB
  - 3.2 Application of different curves
  - 3.3 Temperature de-rating chart
  - 3.4 I-T characteristics
  - 3.5 Watt loss table
- 

## **4. Residual Current Devices**

- 4.1 Danger of electrocution
  - 4.2 Working of residual current devices
  - 4.3 Precautions for installation
  - 4.4 Fault finding when RCCB trips
  - 4.5 I-T characteristics
- 

## **5. Surge Protection Device (SPD)**

- 5.1 SPD classification
- 5.2 Installation and wiring
- 5.3 SPD selection



# Basics of Electrical System and General Electrical Practices

## Fault

A fault can be defined as any abnormal flow of electric current, in an electric power system.

### Types of faults

Faults can be broadly classified into two main areas.

1. Active Fault
2. Passive Fault

### 1. Active Fault

An 'Active' fault occurs when actual current flows from one phase conductor to another (phase-to-phase) or alternatively from one phase conductor to earth (phase-to-earth). This type of fault can also be further classified into two areas, namely the 'solid' fault and the 'incipient' fault.

#### Solid fault

The solid fault occurs as a result of an immediate complete breakdown of insulation. For example a pick struck an underground cable, bridging conductors etc.

#### Incipient fault

An incipient fault is a fault that starts from very small beginnings, say some partial discharge (excessive electronic activity often referred to as corona) in a void in the insulation, increasing and developing over an extended period, until such time as it burns away adjacent insulation, eventually running away and developing into a "solid" fault.

### 2. Passive Fault

Passive faults are not real faults in the true sense of the word, but are conditions that stress the system beyond its design capacity, so that ultimately active faults will occur. Examples of passive faults Overloading leading to overheating of insulation (deteriorating quality, reduced life and ultimate failure).

Overvoltage – stressing the insulation beyond its limits.  
Under frequency – causing plant to behave incorrectly.  
Power swings – generators going out-of-step or synchronism with each other.

## Safety Requirements

Some of the important safety requirements in electrical installations in domestic dwellings are summarized below:

- a. All outlets for domestic electrical appliances shall be of three-pin socket type, the third socket being connected to the earth.
- b. All the single-pole switches shall be on phase or live conductor only.
- c. The electrical outlets for appliances in the bathrooms shall be away from the shower or sink.
- d. Wiring for power outlets in the kitchen shall be preferably done in metallic conduit wiring.
- e. The electrical outlets shall not be located above the gas stove.
- f. The clearance between the bottom-most point of the ceiling fan and the floor shall be not less than 2.4 m.
- g. The metallic body of the fan regulator if any, shall be earthed effectively.
- h. Earth leakage circuit-breaker at the intake of power supply at the consumer's premises shall be provided.

# Earthing

According to BS 7671 five types of earthing are specified.

- TT-Earthing system
- TN-S Earthing system
- TN-C system
- TN-C-S system
- IT-system

In the above systems,

T = Earth (from the French word *Terre*)

N = Neutral

S = Separate

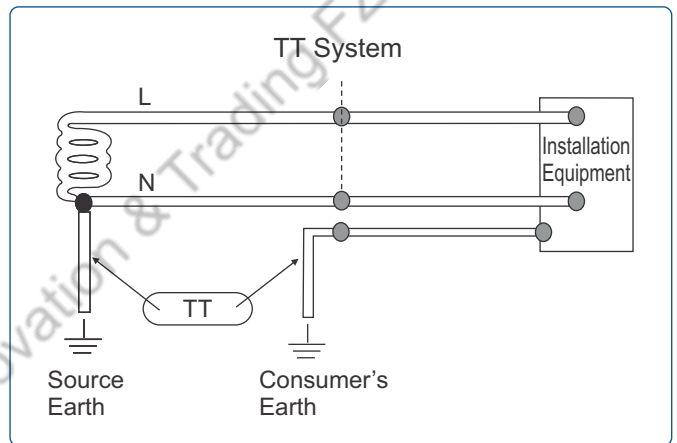
C = Combined

I = Isolated

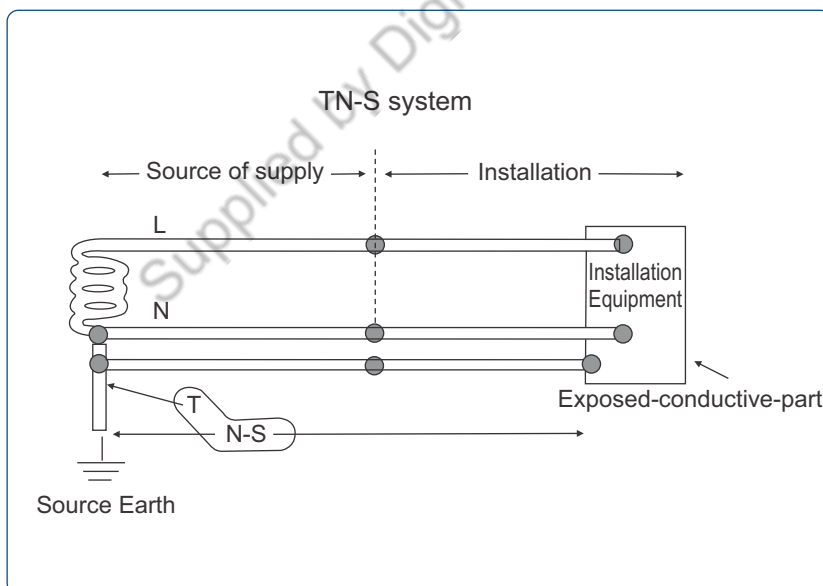
When designing an electrical installation, one of the first things to determine is the type of earthing system. The system will either be TN-S, TN-C-S Protective Multiple Earthing (PME) or TT for a low voltage supply given in accordance with the Electricity Safety, Quality and Continuity Regulations 2002.

**1. TT system** – If the neutral of the source & protective earth (PE) conductor at the consumer end are earthed separately, the system is called TT system. The system is as shown in the figure.

With TT, the consumer must provide their own connection to earth, i.e. by installing a suitable earth electrode local to the installation. The circumstances in which a distributor may not provide a means of earthing for the consumer where the distributor cannot guarantee the earth connection back to the source, e.g. a low voltage overhead supply or where there is the likelihood of the earth wire either becoming somehow disconnected or even stolen.



## 2. TN- S system

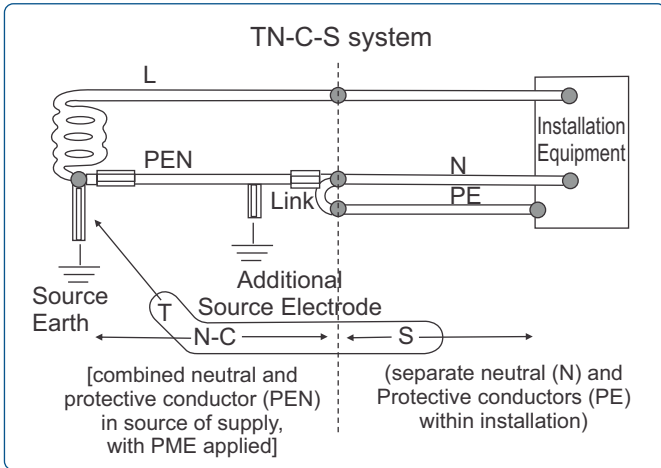


In this system, the N and PE neutral conductors are separate. PE and N conductors are mandatory for the circuits of cross-section less than 10 sq.mm.

A TN-S system has the neutral of the source of energy connected with earth at one point only, at or as near as is reasonably practicable to the source. The consumer's earthing terminal is typically connected to the metallic sheath or armour of the distributor's service cable into the

premises or to a separate protective conductor of, for instance, an overhead supply. Large consumers may have one or more HV/LV transformers dedicated to their installation and installed adjacent to or within their premises. In such situations, the usual form of system earthing is TN-S.

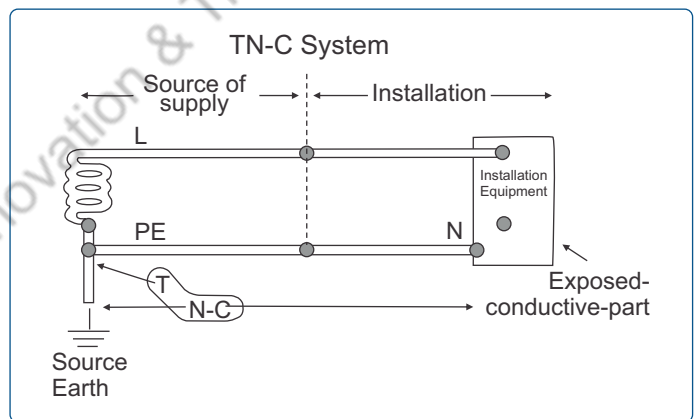
### 3. TN-C-S system



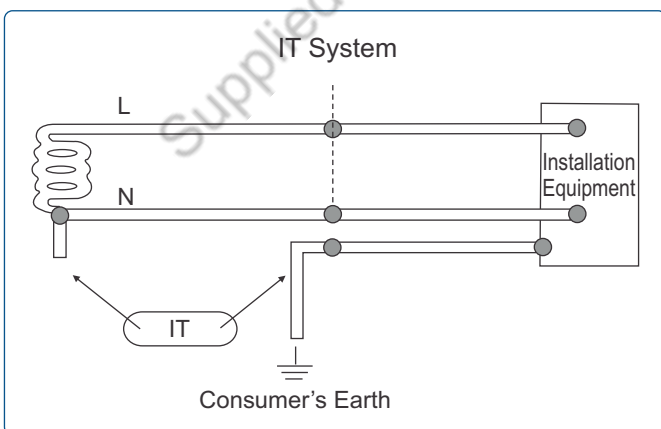
A TN-C-S system has the supply neutral conductor of a distribution main connected with earth at source and at intervals along its run. This is usually referred to as Protective Multiple Earthing (PME). With this arrangement the distributor's neutral conductor is also used to return earth fault currents arising in the consumer's installation safely to the source. To achieve this, the distributor will provide a consumer's earthing terminal which is linked to the incoming neutral conductor.

### 4. TN-C system

If the N and PE neutral conductors are one and the same (PEN) in the system than such a system is called a TN-C system. In this system RCD will trip in case of leakage only through human body. So this system is most the dangerous from the safety point of view.



### 5. IT system



In an IT network, the distribution system has no connection to the earth at all, or it has only a high impedance connection. In such systems, an insulation monitoring device is used to monitor the impedance. Only the IT system guarantees risk-free continuity of supply in the presence of an insulation fault.

## Comparison of earthing systems

	TT	IT	TNS	TNC	TNC-S
Earth fault loop impedance	High	Highest	Low	Low	Low
RCD preferred?	Yes	No	Yes	No	After N and PE separate
Need earth electrode at site ?	Yes	Yes	No	No	No
PE conductor cost	Low	Low	Highest	Least	High
Risk of broken neutral	No	No	No	Highest	High
Safety	Safe	Less Safe	Safest	Least Safe	Safe
Electromagnetic interference	Least	Least	Low	High	Low
Safety risks	High loop impedance	Double fault, Overvoltage	Broken PE	Broken neutral	Broken Neutral
Advantages	Safe and reliable	Continuity of operation, cost	Safest	Cost	Safety and cost

## Choice of earthing

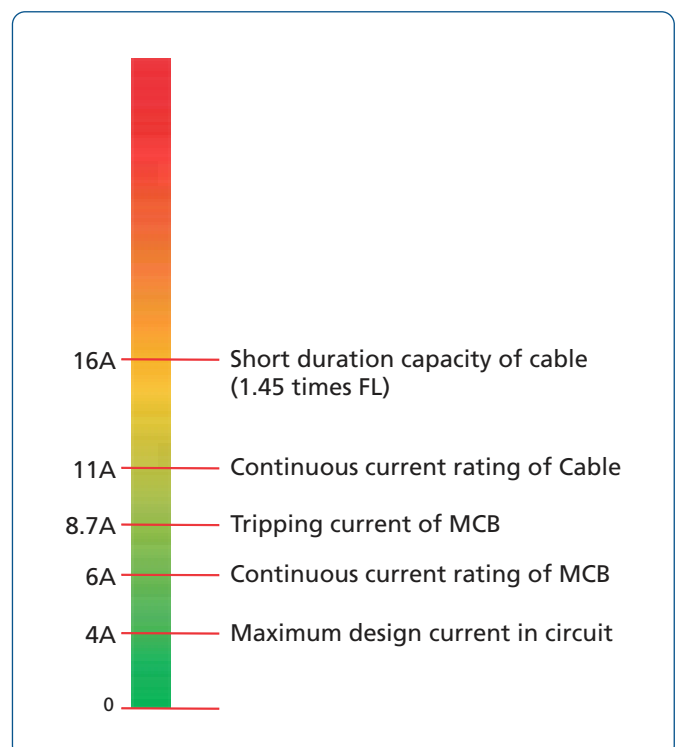
Choice of earthing system for an installation depends on parameters:

1. Safety of person
2. Continuity of supply
3. Sensitivity of the equipment to the presence of harmonics in the system
4. Environment (risk of lightning strike)
5. Quality, maintenance and cost
6. Network size
7. Requirement of skilled operator and designer

## Miniature Circuit Breaker (MCB)

An MCB is an automatically operated electrical switch designed to protect an electrical circuit from damage caused by overload and short circuit. Its basic function is to detect a fault condition and, by interrupting continuity, to immediately discontinue electrical flow. Unlike a fuse, which operates once and then has to be replaced, a circuit breaker can be reset (manually) to resume normal operation.

**Selecting an MCB:** In order to achieve perfect overload protection, the normal current of the MCB ( $I_m$ ) should not be less than the design current of the circuit ( $I_c$ ) and that ( $I_m$ ) should not exceed the current-carrying capacity of the conductors ( $I_w$ ), and that the current causing effective operation of the protective device  $I_m$  does not exceed 1.45 times the current-carrying capacity of the conductor  $I_c$ , expressed as;  $I_c < I_m < I_w$  e.g. If for a load of 800w, 220V; load current is 4A then wire capacity should be minimum 11A (i.e. 1 sq mm) and MCB rating should be 6A.



## Application of Different Types of Curves

Type	Setting	Application
B	3-5 In	Generator-sensitive loads very long circuit runs <i>Example: Incandescent lights, Heater, Geysers</i>
C	5-10 In	General, light and power <i>Example: Fluorescent lights, Small motors, Fans, Refrigerators Window / Split ACs</i>
D	10-20 In	Motors & transformers sodium lighting highly inductive loads <i>Example: Water lifting pumps, UPS, Medium size motors</i>

## Temperature Derating

As per IS/IEC 60898, thermal calibration of an MCB is to be done at 30°C and if the manufacturer decides to do it at any other temperatures, the data has to be furnished on the breaker. When used at ambient temperatures exceeding the calibrated temperatures, MCBs tend to trip faster while carrying the rated current. This calls for de-rating the MCBs when used in ambiances, with temperatures higher than the design ambient temperature. At temperature higher than 30°C, the MCB require progressively less time to trip on the same level of overload.

## Temperature Correction of EXORA MCBs :

In(A)	30°C	40°C	50°C
6	6	5.4	4.8
10	10	9	8
16	16	14.4	12.8
20	20	18	16
25	25	22.5	20
32	32	28.8	25.6
40	40	36	32
50	50	45	40
63	63	56.7	50.4

## Current-limiting and Energy-limiting class

Current limitation is the technique used in circuit breakers to limit the short circuit current to reach its prospective value.

Current limitation can be achieved by following methods:

### 1. By Limiting the Fault

- By series resistors: using a series resistor to limit current on short circuit, but this wastes a lot of energy in limiting resistors.
- By series inductors coil – lot of heat loss combined with bulky size of inductor coils.

### 2. By Current Limiting Technology

- A current limiting circuit breaker cuts off the fault current much before it attains its peak value and hence greatly reduces the thermodynamic stresses on an electrical network.
- On a 50 Hz electrical network, fault current takes 5 msec to reach its prospective peak value.

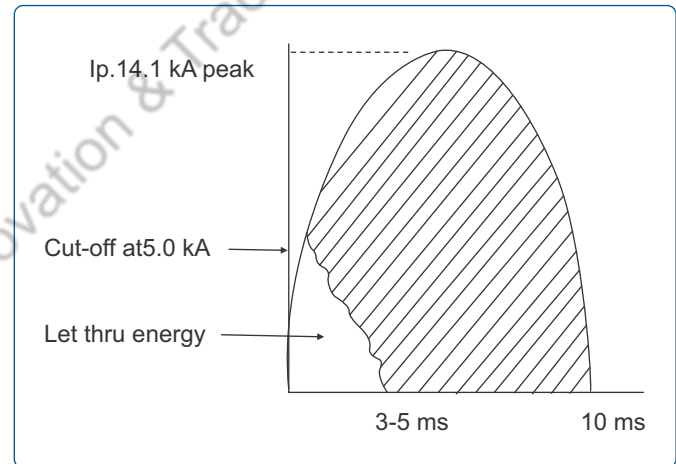
A current limiting circuit breaker interrupts the fault current within 5 msec and clears the fault within 10 msec to limit the fault current and minimize let thru energy for maximum protection of electrical network.

Let thru energy is the amount of fault energy which passes through a circuit breaker to downstream network measured from the instant fault occurs in a system to the instant the circuit breaker clears the fault.

IEC classify MCBs into three classes depending upon their "Quality of current limiting" and let thru energy of a circuit breaker on short circuit class.

Class 1	No Limitation
Class 2	370 kA <sup>2</sup> S
Class 3	110 kA <sup>2</sup> S

As per EN-60898-1 -2003, for 10kA C-curve MCB (Greater than 16A up to and including 32A)



## MCB

### Some Important Definitions and Symbols (National and International Standards)

$U_e$  = rated service voltage

$U_i$  = rated insulation voltage ( $>U_{e\max}$ )

$U_{imp}$  = rated impulse withstand

$I_{cm}$  = rated short circuit making capacity

$I_{cn}$  = rated short circuit capacity

$I_{cs}$  = rated service short circuit breaking capacity

$I_{\Delta n}$  = rated residual operating current (often called residual sensitivity)

$I_n$  = rated current = maximum value of current used for

the temperature rise test

$\Delta t$  = trip delay of residual current devices

Fault Current	Trip time
1.13 $I_n$	Greater than 1 hour
1.45 $I_n$	Less than 1 hour
2.55 $I_n$	1 to 120 seconds

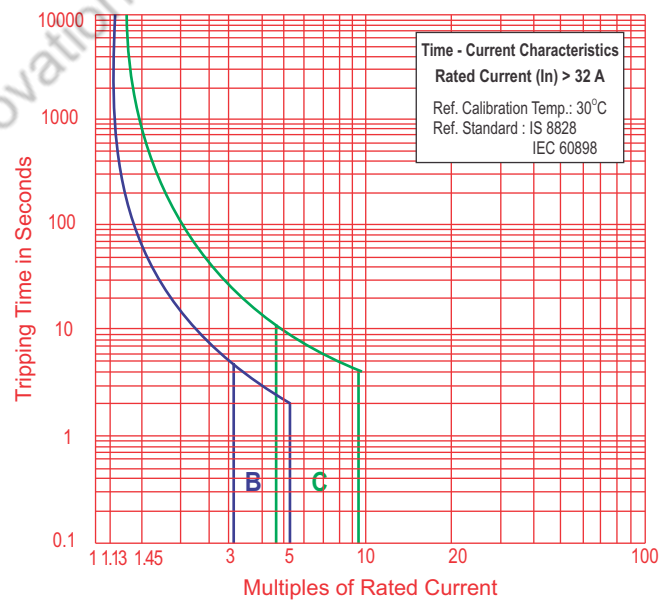
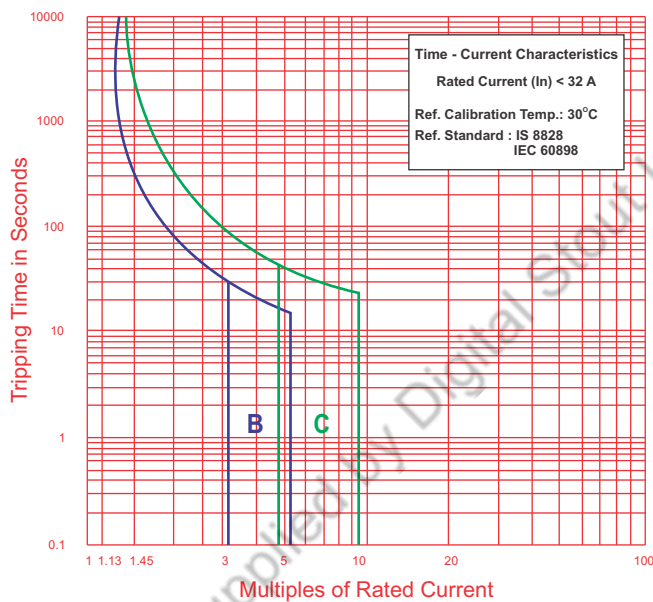
The inverse time delay characteristics of all MCBs complying with IEC 60898 must operate within these limits.

The difference between three types of characteristic curve B, C and D concerns only the magnetic instantaneous trip which provides short circuit protection.

Curve type	Breaker trip limits
Type B	3 to 5 times $I_n$
Type C	5 to 10 times $I_n$
Type D	10 to 20 times $I_n$

## Graphs

### I-T characteristics 10kA



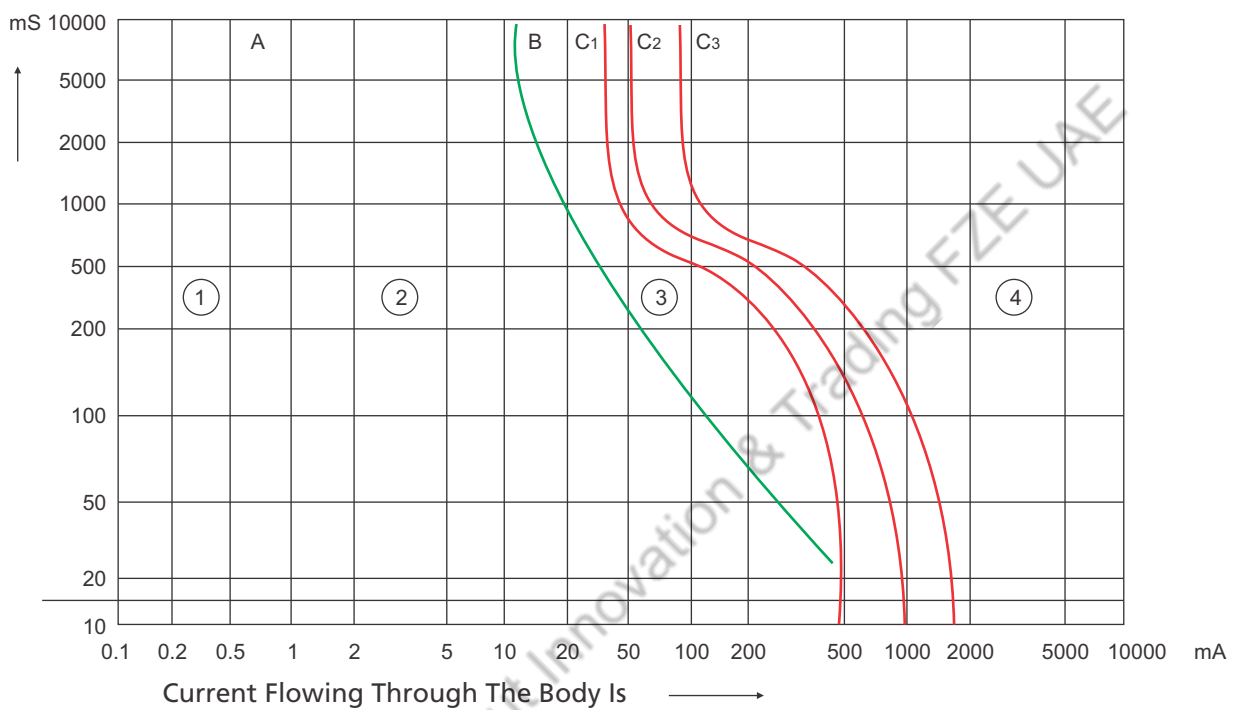
### Watt Loss

Current (A) $I_n$	6	10	16	20	25	32	40	50	63
Loss (Watt)	1.36	1.8	1.8	2.49	3.52	3.4	3.75	5.17	5.93

# RCCB

## Danger of Human – Electrocution

Current I v/s Flow Time



- ① Unperceived
- ② Perceived
- ③ Reversible effects : muscular contraction
- ④ Possible irreversible effects

C1= 5% risk C3>50% risk

Duration of current flow in the body as a function of current strength: In this graph, the effect of AC current (15 to 100 Hz) has been divide into four zones (as per IEC60479-1).

The gravity of an electric shock depends on the following factors:

- Current value
- Time it remains in the human body
- Path it takes through the human body
- Impedance of the human body
- When a current in excess of 30 mA flows through part of the human body, the person is in danger if this current is not interrupted in a relatively short time.

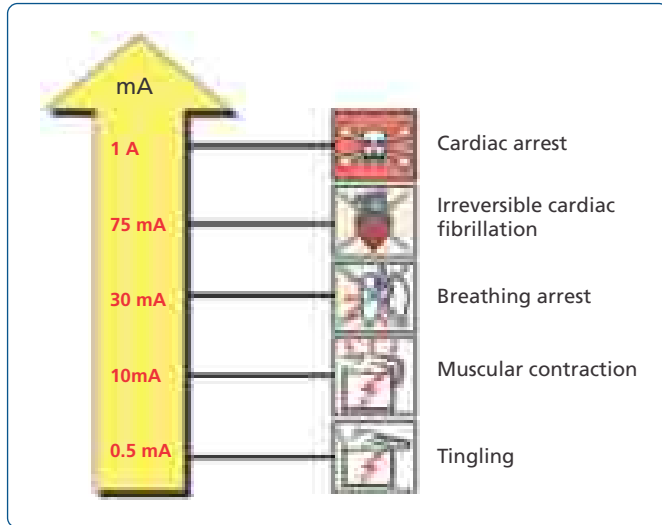
### Importance of RCCB

The fault current overloads and short circuits can be detected by circuit breakers like MCBs, MCCBs, HRC Fuses, etc. But circuit breakers do not detect leakage currents which are dangerous for humans and livestock. If not detected, these leakages can lead to fire hazards. We need a solution that detects such leakage currents and disconnects the circuits from the power supply. Here comes the solution in the form of RCCB (Residual Current Circuit Breaker) also known as ELCB (Earth Leakage Circuit Breaker) which provides protection against direct and indirect contact of personnel or livestock and against fires.

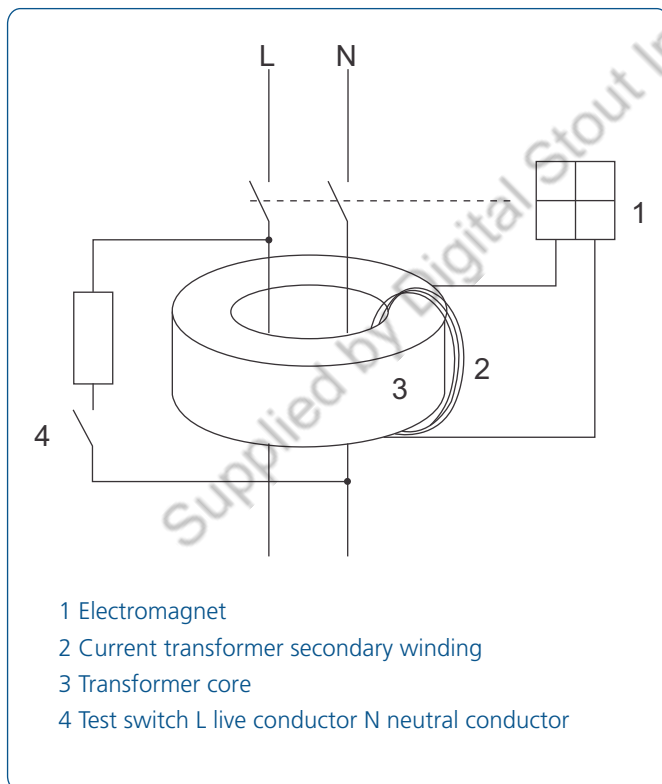


## Critical Current Thresholds

According to the medical study, effect of various current levels on human bodies is as shown below.



## Working Principle of RCCB



RCCBs operate by measuring the current balance between two conductors using a differential current transformer. This measures the difference between the current flowing out of the live conductor and that returning through the neutral

conductor. If these do not sum to zero, there is a leakage of current to somewhere else (to earth/ground, or to another circuit), and the device will open its contacts.

RCCBs have different current sensitivities which can be used for various applications.

Sensitivities	Application
30mA	For protection against direct contacts
100mA	For protection against indirect contact (where generally leakage is high)
300mA	For protection against industrial installations, fire, etc.

To ensure safety, the RCCB switches turn off the protected circuit immediately. If there is an insulation fault causing a short-circuit to an exposed part (frame etc.) of machinery and equipment (protection against indirect contact), the maximum permissible touch voltage  $U$  must occur at a residual current greater than or equal to the rated residual operating current  $I$  that triggers the  $I_n$  RCCB. This condition is met by earthing the exposed part with a sufficiently low resistance to earth  $R_E$ .

$$\text{Earth Resistance (RE)} < \frac{\text{Touch Voltage (U)}}{\text{Rated Residual Operating Current (I)}}$$

## Precaution for Installations

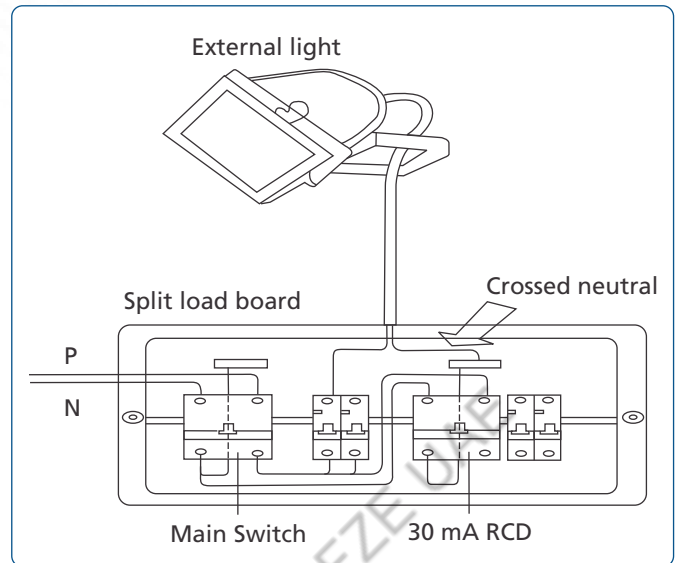
- Wiring should be done as per the wiring diagram. by a trained and qualified electrician.
- All wiring necessary for operation shall be passed through the RCCB.
- The neutral conductor must be insulated against earth to the same extent as the live conductors.
- All equipment used must be properly earthed.
- To ensure correct functioning, care must be taken that the neutral conductor on the load side of the RCCB must not be connected to earth, otherwise nuisance tripping may occur or tripping may be impaired.
- Suitable device either MCB or HRC fuses shall be used for short circuit and overload protection of the circuit under installation.

## Fault finding when RCCB trips

Switch OFF all the switches/MCB connected in the circuit downstream the RCCB. Switch ON RCCB and switch ON the Switches one by one. You will find that during switching ON of a particular appliance/switch RCCB trips again and again which shows that this is the faulty circuit/appliance. Isolate the faulty circuit, rectify the fault and switch ON the RCCB.

## Faults existing downstream of the RCD

- **Indirect contact.** An RCD may be used to provide protection against electric shock due to indirect contact in an installation.
- **Direct contact.** An RCD may be used to provide supplementary protection against direct contact.
- **Incorrect application.** An RCD must be correctly selected and erected for the particular application. For example, protecting an entire installation using a single high sensitivity RCD can, in many cases, lead to unwanted tripping, particularly in industrial environments where inductive loads will cause greater transient overvoltages and where longer cable runs will result in larger values of capacitance to earth.
- **No discrimination between series connected RCDs.** A fault downstream of two series-connected RCDs may result in operation of either device. A fault downstream of the second device will be 'seen' by both devices. Inconvenience may result if the upstream device operates. Discrimination, where required, must be ensured by means such as selecting a time delayed device for the upstream device.
- **Loose connections.** A loose connection downstream of an RCD may cause it to operate due to transient voltages or capacitive effects. Every connection must be properly constructed of durable electrical continuity and adequate mechanical strength correctly selected enclosed and accessible, where required.
- **Crossed neutral on split load distribution board or consumer unit.**

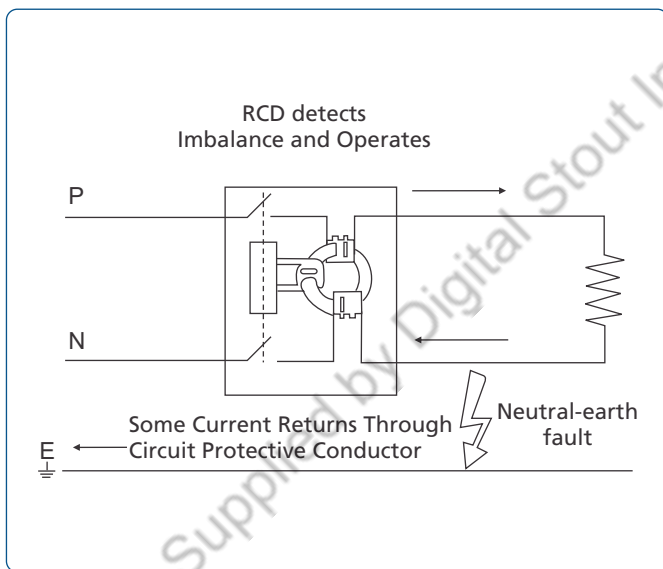


In the above diagram, the external lighting circuit has been incorrectly connected. The MCB supplying the circuit is connected to the non-RCD-protected side of the split load board but the neutral conductor for the circuit has been inadvertently connected downstream of the RCD.

As soon as the outside light is energized, the RCD will see a large imbalance and will operate. The neutral must be taken from the same final circuit, never from another circuit, as has happened in this example. Circuits must be kept separate; in this example a 'borrowed neutral' situation exists presenting a potential shock risk for an electrician attempting to troubleshoot the problem.

- **Neutral-to-Earth fault.** A neutral-to earth fault or in advertent connection of neutral to earth downstream of an RCD will probably result in the device operating as part of the neutral current will flow in the circuit protective conductor resulting in the RCD seeing an imbalance (refer fig below). A neutral-to-earth fault can be caused by:
  - A neutral conductor touching an earthed mounting box or earthed metal conduit
  - Reversed neutral and earth connections at an accessory or item of current-using equipment
  - Withdrawal of a fuse or switching off a circuit-breaker in a final circuit resulting in an RCD tripping as the neutral is normally not interrupted.
  - Nails and picture hooks, screws and power drills: A floorboard nail driven between the neutral and earth conductors creates a neutral to earth fault which is likely to cause an upstream RCD to trip. The fault can be located by insulation testing. The damaged cable must be replaced and either relocated to avoid further damage or protected.

- Mineral insulated cables. Mineral insulated cables can absorb moisture if not correctly terminated resulting in reduced insulation which may cause an RCD to trip as a certain amount of outgoing phase current will return through the MI cable sheath causing the RCD to detect an imbalance. Insulation testing should identify the problem.
- Moisture ingress can cause reduced insulation resulting in RCD operation. Reduced insulation can result from wet plaster, condensation or water entry into accessories. Similarly, some appliances may exhibit reduced insulation causing RCD operation. Certain installed services, such as heating elements in cookers can have reduced insulation when cold; the insulation increasing when hot. The manufacturer's instructions should be consulted.
- Double-pole switching. Double pole switching within the fixed wiring is known to trip an RCD when switching off or on due to capacitive effects. Changing over from double pole to single pole switching can overcome the problem, where such replacement is permissible and safe.



### Faults Upstream of the RCD

A loose connection upstream of the RCD such as at the main switch or at the busbar connections can cause the device to operate.

Mains-borne disturbances such as spikes, voltage surges and dips, a lightning strike and the operation of distribution network switchgear and protective devices combined with capacitance to earth within the installation can cause unwanted RCD operation. A filter may be of assistance.

Site machinery or plant and installed services can cause

mains borne interference. Motors such as lift motors, control gear for discharge lighting and transformer inrush currents can cause unwanted RCD operation. Although significant transients can arise within an installation they would normally only occur under fault conditions. They might, however, travel to other installations where they could cause unwanted tripping of a RCD.

Overhead lines: Unwanted tripping may occur more frequently in an installation supplied by overhead lines compared to one supplied by an underground concentric cable. An underground concentric cable is, by its very nature, a good attenuator of transient overvoltages. Spurious tripping may be avoided by installing a filter upstream of the RCD at the origin of the installation.

### Domestic Installation (RCCBs)

RCCBs can be installed mainly in two ways:

**1. Whole house protection:** In this type of protection the RCCBs serve as the main switch. This type of protection is very popular but has a major disadvantage that all the circuits are disconnected in the event of a fault.

**2. Selective protection:** This type of protection can be divided into two types.

**A. Split busbar consumer unit:** In this case all circuits are fed through an overall isolator and selected circuits additionally through RCCBs. The examples of selected circuits are socket outlets, garage circuits, etc. So this reduces the inconvenience in the event of fault.

**B. Per Phase Isolation (PPI):** A RCCB is used as sub-incomer for each individual phase. In case of a fault, only faulty phase will be disconnected and remaining phases will not be affected.

RCCB should be protected against overload and short-circuit by using backup MCB or Fuse as per table below:

RCCB Rating (A)	L&T MCB (A)	gG L&T Fuse (A)
25	25	25
40	40	40
63	63	63
100	100	100

# SPDs

## a. IEC Standards

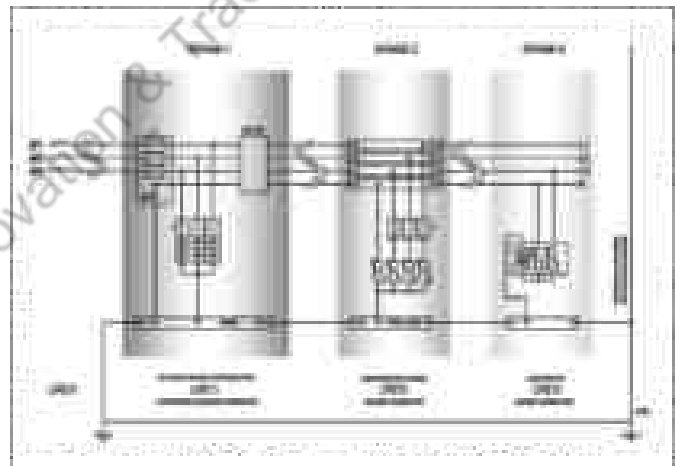
As per international standards, SPDs are classified as lightning current arresters (Class I), surge protection devices (Class II) or device protection (Class III). Each Class is defined by performance testing methods for surge current handling capability.

**Type 1 / Class I** SPDs (Lightning Arresters) are mainly installed in the electrical entry panel or the Main Distribution Panel. This is the first-stage protection in the electrical network, and the surge arrester is designed to divert lightning energy caused by over-voltage comparable to that of a direct lightning strike to the power lines or equipment. These protectors must be designed to survive the 10/350  $\mu$ s wave form. In addition, Class I lightning arresters are tested with 8/20 $\mu$ s current impulses for nominal discharge current ratings..

It must be understood that Class I SPDs are only for insulation breakdown protection, e.g.: protecting the wires, insulation/dielectrics, and other components of the electrical distribution system. These SPDs are not intended to prevent damage to electronics and sensitive equipment. Most SPD manufacturers use discharge-gap technology to meet the challenging test requirements of surviving multiple 10/350  $\mu$ s wave shape hits without damage or degradation. The discharge gap handles high surge currents of 100kA and does not suffer from leakage current when not conducting. One drawback is that the relatively slow response time (~100 ns typically) results in a voltage level protection (VPL) of 1.5 - 2 kV. The minimum discharge capability (Iimp) of a Class I SPD is 25kA.

**Type 2 / Class II** SPDs are mainly installed in secondary distribution panels as the second stage protection. The Class II SPD working with the first stage Class I arrester provides a better level of protection for equipment. These

SPDs offer a lower surge capacity and provide a lower clamp level than the primary suppressor. These SPDs also suppress any surge currents generated by induced lightning currents / partial lightning and operational switching action in the electrical network. These SPDs are tested with a 8/20  $\mu$ s medium-energy or low-energy surge currents, and typically offer a VPL of around 1.5 kV. It is important to note that this voltage level can still potentially allow damage to sensitive equipment. It is also interesting to note that some SPDs offer combined Type 1 and 2 protection of loads against both direct and indirect lightning strokes.



**Type 3 / Class III** SPDs must be installed as a supplement to Type 2 SPD and be located in the immediate vicinity of sensitive loads. Some critical applications with sensitive equipment include: Medical Imaging, Cloud Servers, and Video Surveillance. The function of a Class 3 device is protection of sensitive electronic equipment and thus the voltage protection level should be < 600 V. These devices are tested similar to the Class II SPDs (1.2/50  $\mu$ s and 8/20  $\mu$ s waveforms) but have lower discharge current capability. Often, Type 2 products are declared as Type 3. It is important to check that these SPDs offer voltage levels of  $\leq$  600 V.

## Installation and Wiring

- 1 Install only in a restricted access power distribution cabinet that requires a key or tool to open.
- 2 The SPD should only be installed by a licensed electrician.
- 3 All local and national electric codes must be observed.
- 4 Keep wires as short as possible (maximum length  $\leq 0.5$  m) and free of sharp bends.
- 5 Before installation, shut off power to prevent accidental electrical shock or injury.
- 6 The ground conductor should be insulated stranded copper greater than 10 mm<sup>2</sup> (#6 AWG) diameter.  
The power conductors should be copper stranded insulated greater than 6 mm<sup>2</sup> (#10 AWG) diameter.

## Usage and Maintenance

- 1 The SPD should be scheduled for periodic inspection to ensure SPD is operational, each module is securely inserted in base and all wire connections are tight.

## SPD selection

Coordination Stage	Stage 1	Stage 2	Stage 3
Surge Threat	Lightning	Lightning & Inductive	Inductive
IEC 61643-1	Class I test	Class II test (8/20 s)	Class III test
EN/IEC 61643-11	Type 1 : (10/350 s)	Type 2 : (8/20 s)	Type 3 : (8/20 s)
IEC Test Waveform	10/350 s	8/20 s	1.2/50 s + 8/20 s
IEEE C62.41	Location C (8/20 s)	Location B (8/20 s)	Location A (8/20 s)
UL 1449	Type 1 (8/20 s)	Type 2 (8/20 s)	Type 3 (8/20 s)
IEEE Test Waveform	8/20 s	8/20 s	1.2/50 s + 8/20 s

# Add an Appeal to your Wall with New Range of Distribution Boards



Clarity/12/2014/RP



Outside, it's a work of art. The aesthetic lines of the L&T distribution board give your home a touch of class. Subtle, yet elegant, it is a style statement.

Inside, it's state-of-the-art. L&T's distribution board is designed for total safety. It is easy to install, operate and maintain. What's more, L&T's wide range ensures that there's one for your application.

Contact your nearest authorised L&T stockist today.

## **Customer Interaction Center (CIC)**

BSNL / MTNL (toll free): 1800 233 5858 Reliance (toll free): 1800 200 5858

Tel: 022 6774 5858 Fax: 022 6774 5859 Email: [cic@lntebg.com](mailto:cic@lntebg.com) Web: [www.lntebg.com](http://www.lntebg.com)





## READY-TO-USE POWER DISTRIBUTION SOLUTION

### **ENERSYS-S**

SUB-MAIN DISTRIBUTION BOARD

Energys-S from L&T is design verified assembly that complies with IEC 61439-2 and certified by DEKRA. It is a design verified sub main distribution board for power distribution that is designed for easy handling and simple installation. It also offers safe, reliable and higher performance.

#### **Customer Interaction Centre (CIC)**

BSNL / MTNL (Toll free): 1800 233 5858 Reliance (Toll free): 1800 200 5858

Tel: +91 22 6774 5858 Fax: +91 22 6774 5859

E-mail: [cic@Lntebg.com](mailto:cic@Lntebg.com) [www.Lntebg.com](http://www.Lntebg.com)

**L&T SWITCHGEAR**  
SAFE & SURE

## Electrical Standard Products (ESP) Offices:

### HEAD OFFICE

L&T Business Park,  
Tower 'B' / 3rd Floor  
Saki Vihar Road, Powai  
**Mumbai 400 072**  
Tel: 022-67053229  
Fax: 022-67051112  
e-mail: cic@LNTEBG.com

### BRANCH OFFICES

501, Sakar Complex I  
Opp. Gandhigram Rly. Station  
Ashram Road  
**Ahmedabad 380 009**  
Tel: 079-66304006-11  
Fax: 079-66304025  
e-mail: esp-ahm@LNTEBG.com

38, Cubbon Road, P. O. Box 5098  
**Bangalore 560 001**  
Tel: 080-25020100 / 25020324  
Fax: 080-25580525  
e-mail: esp-blr@LNTEBG.com

131/1, Zone II  
Maharana Pratap Nagar  
**Bhopal 462 011**  
Tel: 0755-3080511 / 05 / 08 / 13 / 17 / 19  
Fax: 0755-3080502  
e-mail: esp-bho@LNTEBG.com

Plot No. 559, Annapurna Complex  
Lewis Road  
**Bhubaneswar 751 014**  
Tel: 0674-6451342, 2436690, 2436696  
Fax: 0674-2537309  
e-mail: esp-bsr@LNTEBG.com

Aspire Towers, 4th Floor  
Plot No. 55, Phase-I  
Industrial & Business Park  
**Chandigarh-160 002**  
Tel: 0172-4646840 / 41 / 42 / 46 / 53  
Fax: 0172-4646802  
e-mail: esp-chd@Lntebg.com

L&T Construction Campus  
TC-1 Building, II Floor  
Mount-Poonamallee Road  
Manapakkam  
**Chennai 600 089**  
Tel: 044-2270 6800  
Fax: 044-22706940  
e-mail: esp-maa1@LNTEBG.com

67, Appuswamy Road  
Post Bag 7156  
Opp. Nirmala College  
**Coimbatore 641 045**  
Tel: 0422-2588120 / 1 / 5  
Fax: 0422-2588148  
e-mail: esp-cbe@LNTEBG.com

Khairasol, Degaul Avenue  
**Durgapur 713 212**  
Tel: 2559848, 2559849, 2559844  
Fax: 0343-2553614  
e-mail: esp-dgp@LNTEBG.com

5, Milanpur Road, Bamuni Maidan  
**Guwahati 781 021**  
Tel: +91 8876554410 / 8876554417  
Fax: 361-2551308  
e-mail: esp-ghy@LNTEBG.com

II Floor, Vasantha Chambers  
5-10-173, Fateh Maidan Road  
**Hyderabad 500 004**  
Tel: 040-67015052  
Fax: 040-23296468  
e-mail: esp-hyd@LNTEBG.com

Monarch Building, 1st Floor  
D-236 & 237, Amrapali Marg  
Vaishali Nagar  
**Jaipur 302 021**  
Tel: 0141-4385914 to 18  
Fax: 0141-4385925  
e-mail: esp-jai@LNTEBG.com

Akashdeep Plaza, 2nd Floor  
P. O. Golmuri  
**Jamshedpur 831 003**  
Jharkhand  
Tel: 0657-2312205 / 38  
Fax: 0657-2341250  
e-mail: esp-jam@LNTEBG.com

Skybright Bldg; M. G. Road  
Ravipuram Junction, Ernakulam  
**Kochi 682 016**  
Tel: 0484-4409420 / 4 / 5 / 7  
Fax: 0484-4409426  
e-mail: esp-cok@LNTEBG.com

3-B, Shakespeare Sarani  
**Kolkata 700 071**  
Tel: 033-44002572 / 3 / 4  
Fax: 033-22821025 / 7587  
e-mail: esp-ccu@LNTEBG.com

A28, Indira Nagar, Faizabad Road  
**Lucknow 226 016**  
Tel: 0522-4929905 / 04  
Fax: 0522-2311671  
e-mail: esp-lko@LNTEBG.com

No: 73, Karpaga Nagar, 8th Street  
K. Pudur  
**Madurai 625 007**  
Tel: 0452-2537404, 2521068  
Fax: 0452-2537552  
e-mail: esp-mdu@LNTEBG.com

L&T Business Park,  
Tower 'B' / 5th Floor  
Saki Vihar Road, Powai  
**Mumbai 400 072**  
Tel: 022-67052874 / 2737 / 1156  
Fax: 022-67051112  
e-mail: esp-bom@LNTEBG.com

12, Shivaji Nagar  
North Ambajhari Road  
**Nagpur 440 010**  
Tel: 0712-2260012 / 6606421  
Fax: 2260030 / 6606434  
e-mail: esp-nag@LNTEBG.com

32, Shivaji Marg  
P. O. Box 6223  
**New Delhi 110 015**  
Tel: 011-41419514 / 5 / 6  
Fax: 011-41419600  
e-mail: esp-del@LNTEBG.com

L&T House  
P. O. Box 119  
191/1, Dhole Patil Road  
**Pune 411 001**  
Tel: 020-66033395 / 66033279  
Fax: 020-26164048 / 26164910  
e-mail: esp-pnq@LNTEBG.com

Crystal Tower,  
4th Floor, G. E. Road  
Telibandha  
**Raipur - 492 006**  
Tel: 0771-4283214  
e-mail: esp-raipur@LNTEBG.com

3rd Floor  
Vishwakarma Chambers  
Majura Gate, Ring Road  
**Surat 395 002**  
Tel: 0261-2473726  
Fax: 0261-2477078  
e-mail: esp-sur@LNTEBG.com

Radhadaya Complex  
Old Padra Road  
Near Charotar Society  
**Vadodara 390 007**  
Tel: 0265-6613610 / 1 / 2  
Fax: 0265-2336184  
e-mail: esp-bar@LNTEBG.com

Door No. 49-38-14/3/2, 1st floor,  
NGGO's Colony, Akkayyapalem,  
**Visakhapatnam - 530 016**  
Phone : 0891 2791126, 2711125  
Fax.: 0891 2791100  
e-mail: esp-viz@LNTEBG.com

Product improvement is a continuous process. For the latest information and special applications, please contact any of our offices listed here. Product Photographs shown, are for representative purpose only.



**Larsen & Toubro Limited, Electrical Standard Products**  
Powai Campus, Mumbai 400 072

**Customer Interaction Center (CIC)**  
BSNL / MTNL (toll free) : 1800 233 5858 Reliance (toll free) : 1800 200 5858  
Tel : 022 6774 5858, Fax : 022 6774 5859  
E-mail : cic@Lntebg.com / Website www.Lntebg.com

**Registered Office:** L&T House, N. M. Marg, Ballard Estate, Mumbai 400 001, INDIA **CIN:** L99999MH1946PLC004768