



# Load Break Switches

## About us

Larsen & Toubro is a technology-driven USD 8.5 billion company that infuses engineering with imagination. The Company offers a wide range of advanced solutions in the field of Engineering, Construction, Electrical & Electronics, Machinery and Information Technology.

L&T Switchgear, which forms part of the Electrical & Automation business, is India's largest manufacturer of low voltage switchgear, with the scale, sophistication and range to meet global benchmarks. With over four decades of experience in this field, the Company today enjoys a leadership position in the Indian market with growing presence in international markets.

It offers a complete range of products including controlgear, powergear, motor starters, energy meters, wires and host of other accessories. Most of our product lines conform to international standards, carry CE markings and are *KEMA* certified.

L&T now introduces compact range of 'Load Break Isolators' to suit the needs of Isolation for every safety needs.



Switchgear Factory, Mumbai

## Contents

Technical Data .....	1
Switching Programmes .....	2
Front Mounting .....	3
Rear Mounting .....	5
Plastic Enclosure Mounting .....	7
Metal Enclosure Mounting .....	8
Accessories .....	10
Changeover Switches .....	13
Enclosure Changeover Switches .....	15
Product Ordering Code .....	16

Supplied by Digital Spout Innovation & Trading FZE UAE

## Technical Data

CSA Standard	CAN/CSA-C22.2 N0.14-M91
UL Standard	UI508
European Standard	IEC947-1 and 3, EN60947, VDE 0660-107

Rating	Measure		LB116	LB120	LB225	LB232	LB240	LB263	LB4080	LB4100	LB4125	
<b>Rated Operational Voltage, Ue</b>												
IEC/EN/VDE	Volts	V	690	690	690	690	690	690	690	690	690	
UL/CSA	Volts	V	600	600	600	600	600	600	600	600	600	
Main Switch: Isolating Voltage Upto	Volts	V	750	750	750	750	750	750	750	750	750	
Resistance to Surge Pulse Voltage, Uimp	Volts	kV	6	6	6	6	6	6	6	6	6	
Rated Uninterrupted Current, Iu	Amp	A	16	20	25	32	40	63	80	100	125	
<b>Rated Operational Current, Ie</b>												
IEC/EN/VDE	AC22	Amp	A	16	20	25	32	40	63	80	100	125
	AC-21A IEC/EN/VDE	Amp	A	16	20	25	32	40	63	80	100	125
	AC-1	Amp	A	20	25	32	40	63	80	80	100	125
UL/CSA	Amp	A	16	20	25	32	40	63	80	100	125	
<b>Rated Operational Power at 50 to 60Hz (IEC/EN/VDE)</b>												
IEC/EN/VDE	AC-23A, 3 Phase, 3 Pole	220-240V	kW	3	4	5.5	7.5	11	15	18.5	22	30
		380-440V	kW	5.5	7.5	11	15	18.5	30	30	37	45
		500-690V	kW	7.5	11	11	15	22	30	37	45	55
	AC-3, 3 Phase, 3 Pole	220-240V	kW	2	3	4	5.5	7.5	11	15	18.5	22
		380-440V	kW	3	5.5	7.5	11	18.5	22	22	30	37
		500-690V	kW	5.5	7.5	11	11	18.5	22	30	37	45
<b>Short Circuit Capacity (IEC/EN/VDE)</b>												
Max. Fuse Size (Type gL)	Amp	A	16	25	25	32	40	63	80	100	125	
Rated fused short circuit current	Amp	kA	5	5	30	30	30	30	30	30	30	
<b>UL/CSA Power Rating: Manual Motor Controller, Suitable as Disconnect</b>												
DOL	3 Phase, 3 Pole	120V	HP	1	1	3	3	5	7.5	5	7.5	7.5
		240V	HP	3	3	7.5	7.5	10	15	10	15	15
		480V	HP	7.5	7.5	15	20	20	25	30	30	40
	1 Phase	600V	HP	10	10	20	25	30	30	40	40	50
		120V	HP	0.5	0.5	1.5	2	3	3	3	3	3
		240V	HP	1.5	1.5	2	3	4	7.5	7.5	7.5	10
<b>Short Circuit Capacity (UL/CSA)</b>												
Max. Fuse Size	Amp	A	25	25	50	50	70	70	100	100	125	
Fuse Rating, J Type	Amp	A	20	20	45	45	70	70	90	90	90	
Rated Fused Short Circuit Current	Amp	kA	10	10	10	10	10	10	10	10	10	
<b>Terminal Cross Section</b>												
Single/Multiple Strand Wire	Min-mm <sup>2</sup>		1.5	1.5	1	1	4	4	6	6	6	
	Max-mm <sup>2</sup>		6	6	10	10	16	16	70	70	70	
Fine-Strand Wire with Sleeve	Min-mm <sup>2</sup>		0.5	0.5	0.75	0.75	2.5	2.5	4	4	4	
	Max-mm <sup>2</sup>		6	6	6	6	10	10	50	50	50	
American Wire Guage	-	AWG	12	12	8	8	6	6	1	1	1	
<b>Recommended Tightening Torque</b>	-	Nm	0.8	0.8	1.7	1.7	1.7	1.7	2.5	2.5	2.5	

# Switching Programmes

## Switches : LB225, LB232, LB240, LB263, LB4080, LB4100, LB4125

	3 Pole	3 Pole + 1 Main Module	4 Pole + 1 Main Module	6 Pole	8 Pole
	31300	31400	31500	31600	31800
	31309	31409	31509	31609	31809

	3 Pole+ 1 Neutral Module	4 Pole+ 1 Neutral Module	3 Pole+ 1 Auxillary Module	4 Pole+ 1 Auxillary Module	3 Pole+ 2 Neutral Modules	3 Pole+ 2 Auxillary Modules
	31310	31410	31320	31420	31330	31340
	31319	31419	31329	31429	31339	31349

Note: 6P and 8P for LB116 and LB120 are under development. Please refer to us

## Switches: LB4080, LB4100, LB4125

	31309	31409	31509	31609	31809

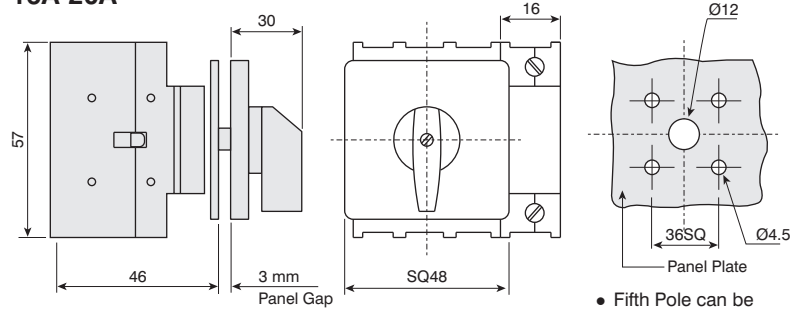
	31319	31419	31329	31429	31339	31349

# Front Mounting

## B03



### 16A-20A



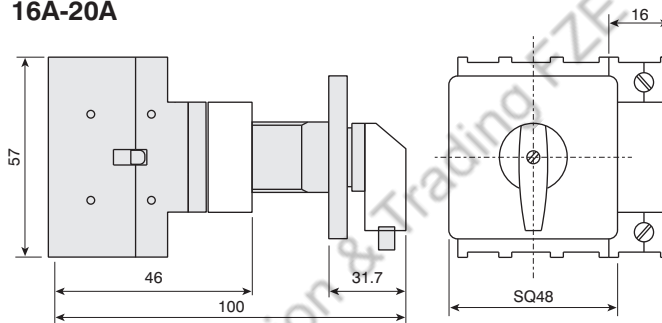
- 4 Hole front panel mounting
- Degree of protection : Front IP55

• Fifth Pole can be fitted on the other side of the switch

## B19



### 16A-20A

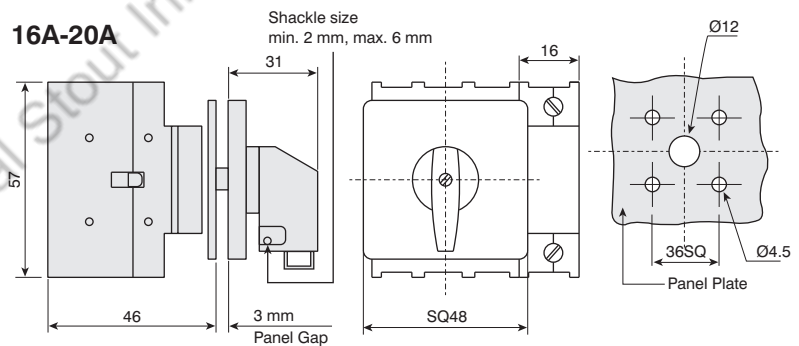


- Dia 22.5 mm, single hole panel mounting
- Degree of protection : Front IP55

## B40



### 16A-20A

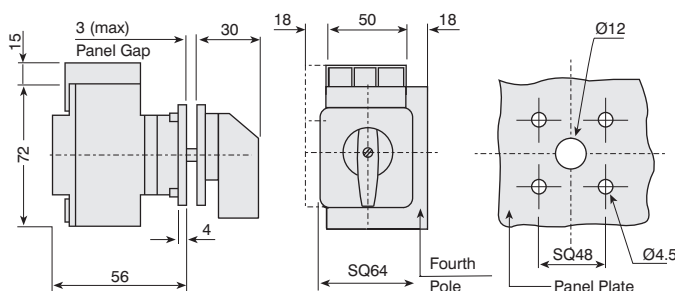


- 4 Hole, front panel mounting
- Degree of protection : Front IP55
- Switch with padlockable flag knob
- Maximum 1 padlock

## B13



### 25A-63A



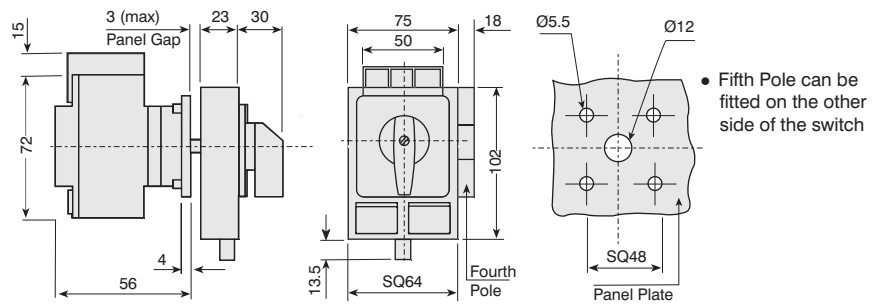
- 4 Hole front panel mounting
- Degree of protection : Front IP55

• Fifth Pole can be fitted on the other side of the switch

### B30



### 25A-63A

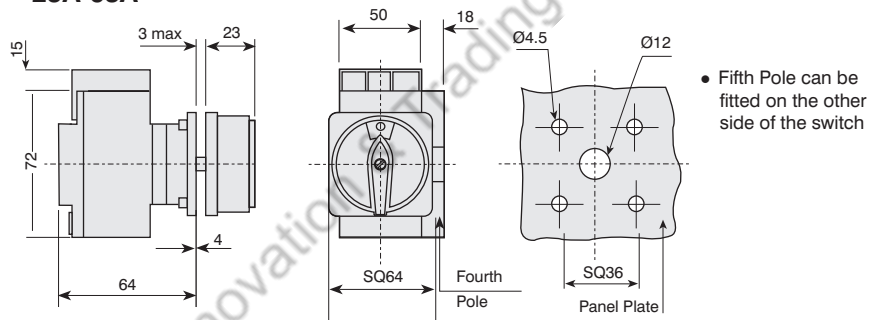


- 4 Hole front panel mounting
- Degree of protection : Front IP55
- Switch with rectangular
- Padlocking device to prevent the Switch from being switched ON by unauthorised personnel
- Max 4 padlocks

### B33



### 25A-63A

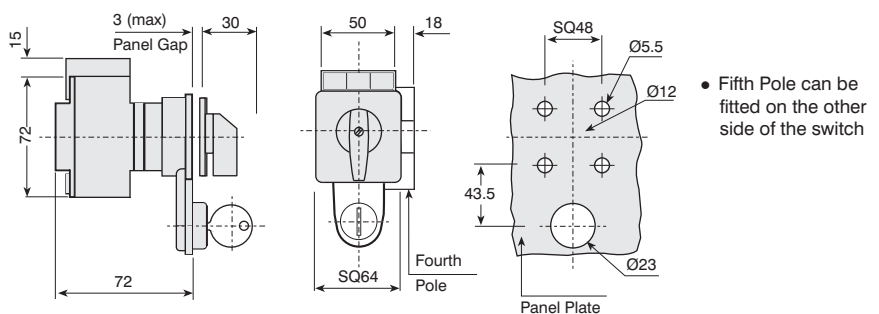


- 4 Hole front panel mounting
- Degree of protection : Front IP65
- Switch with round padlocking device to prevent from being switched ON by unauthorised personnel
- Max 3 padlocks

### B63



### 25A-63A



- 4 Hole front panel mounting
- Degree of protection : Front IP55
- Knob operated, keylock, key removable in OFF position (Other options on request)

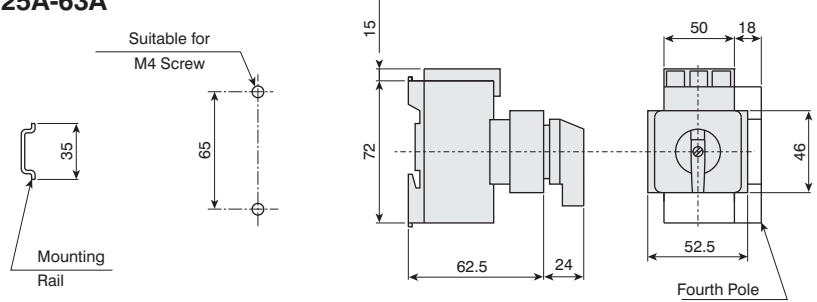
# Rear Mounting

## B23

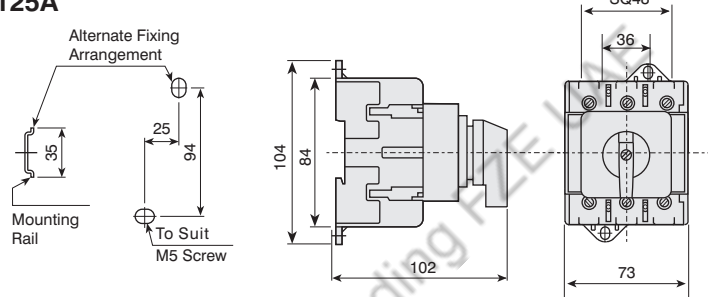


- 2 Hole rear mounting
- Alternately snap mounting on DIN EN50022 rail (35 mm)
- Degree of protection : Front IP30

### 25A-63A



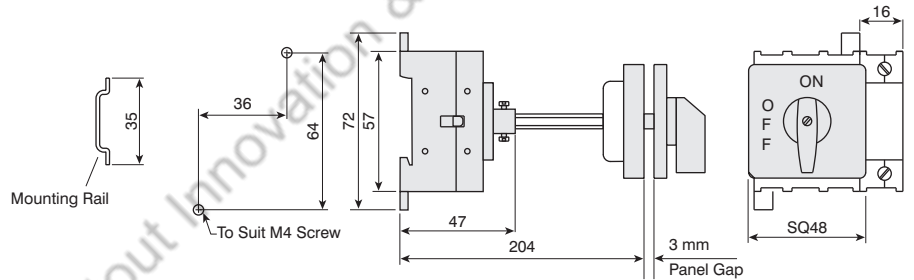
### 80A-125A



## MB42

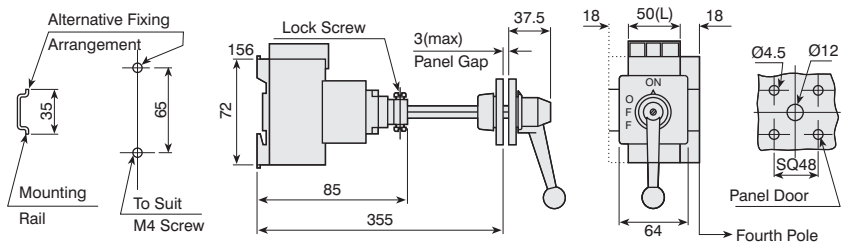


### 16A-20A

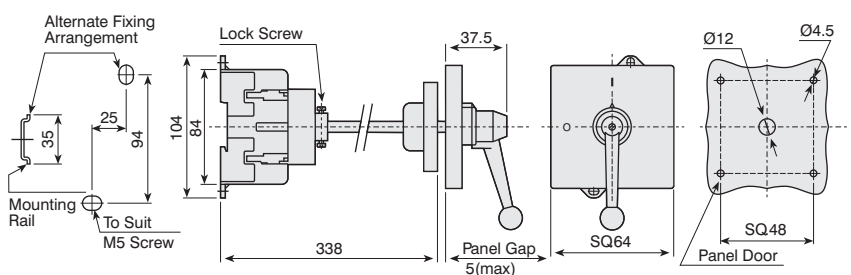


### 25A-63A

- 2 Hole rear mounting or snap mounting on DIN EN50022 rail (35mm) and can be operate from the front (door) - coupled with door mechanism
- Door interlock (Door openable only in OFF position)
- Degree of protection : Front IP55



### 80A-125A



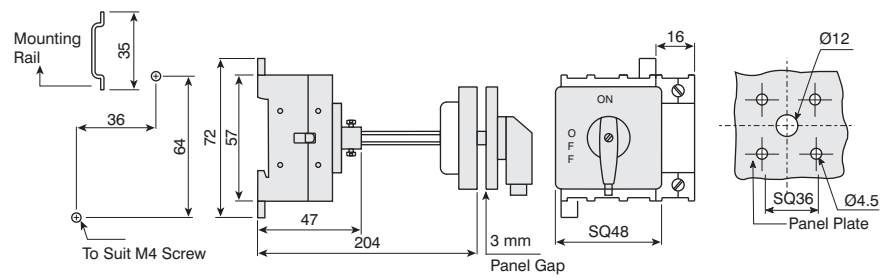


## MB34

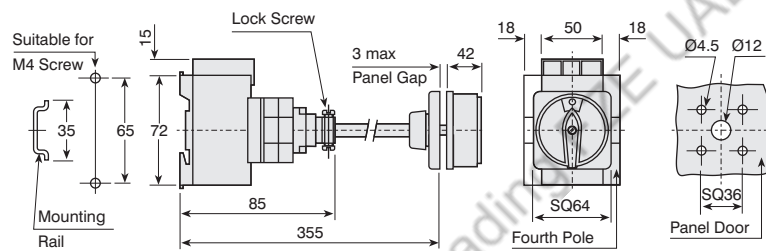


- 2 Hole rear mounting or snap mounting on DIN EN50022 rail (35mm) and can be operate from the front (door) coupled with door mechanism
- Door interlock (door openable only in OFF position)
- Degree of protection : Front IP65
- Rigid metal shaft/switch assembly
- Switch with round padlocking device to prevent the Switch from being made ON by unauthorised persons
- Max.3 padlocks as under :  
 16A-20A: Max. 1 padlock  
 25A-63A: Max. 2 padlocks  
 80A-125A: Max. 3 padlocks

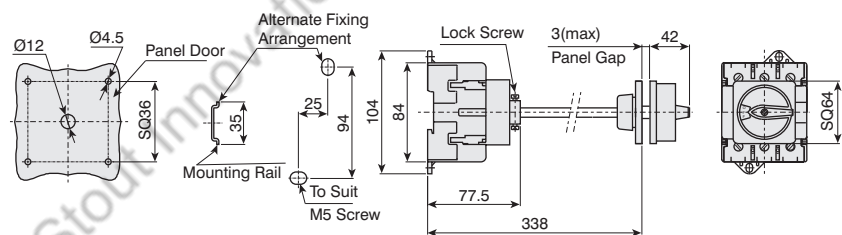
## 16A-20A



## 25A-63A



## 80A-125A



- Adjustable mounting by cutting the metal shaft to appropriate length, to suit panel height
- Specific Length of shaft can be offered on request

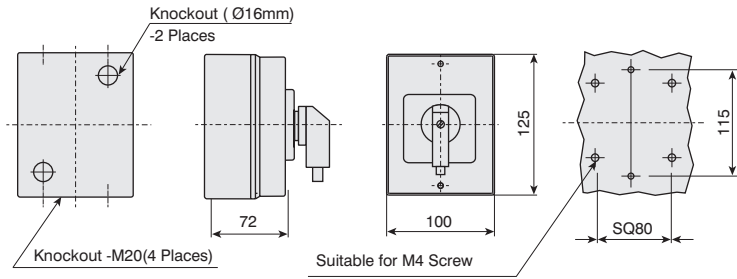
# Plastic Enclosure Mounting

## B31SM

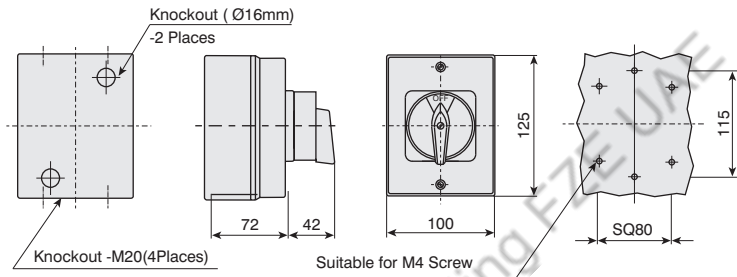


- Switch mounted in ABS / polycarbonate (optional) enclosure
- Round padlocking device (Max.3 padlocks) to prevent the Switch from being made to ON by unauthorised personnel
- Knob version available on request
- Switch rear mounted for easy connection
- Degree of protection : IP65

### 16A-20A



### 25A-32A



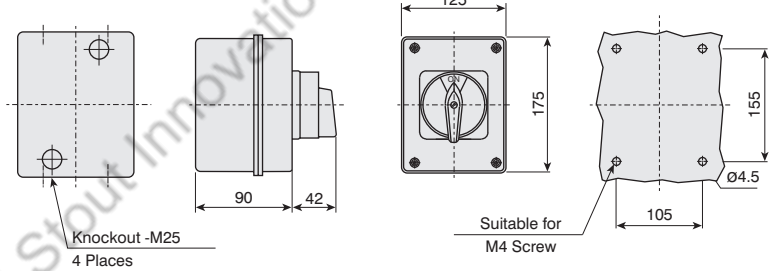
- Red / Yellow-handle colour for Main / Emergency Switches
- Enclosure colour : Dark grey base and light grey cover
- Fourth pole can be added

## B31M



- Switch mounted in ABS enclosure, optional in polycarbonate

### 40A-63A



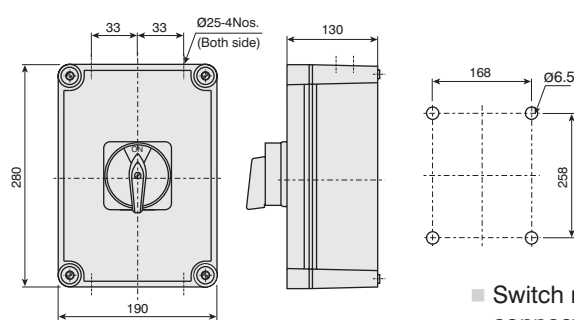
- Round padlocking device (Max.3 padlocks) to prevent the Switch from being made to ON by unauthorised personnel
- Degree of protection : IP65
- Switch rear mounted for easy connection
- Red / Yellow-handle Colour For Main / Emergency Switches
- Enclosure colour : Dark grey base and light grey cover
- Fourth and Fifth pole can be added

## B31L



- Switch mounted in ABS / polycarbonate (optional) enclosure

### 80A-125A



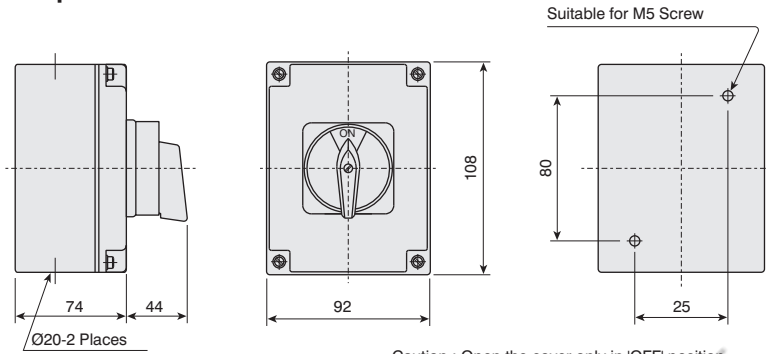
- Padlocking device (Max.3 padlocks) to prevent the Switch from being made to ON by unauthorised personnel
- Degree of protection : IP65
- Switch rear mounted for easy connection
- Red / Yellow-handle Colour For Main / Emergency Switches
- Interlock provided to open the lid only in OFF position
- Enclosure colour : Grey
- Fourth and fifth pole can be added

# Metal Enclosure Mounting

## AB31S



### Upto 25A



Caution : Open the cover only in 'OFF' position

- Switch mounted in aluminium enclosure
- Round padlocking device (max. 3 padlocks) to prevent the Switch

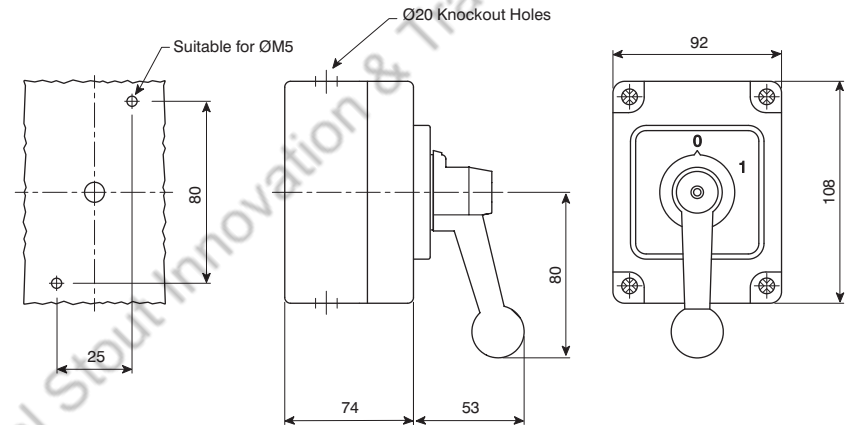
- from being made to ON by unauthorised personnel
- Degree of protection : IP53\*

- Red / Yellow-handle Colour for Main / Emergency Switches
- Enclosure colour : Dark grey base and light grey cover

## AB31S - IP65



### 25-32A

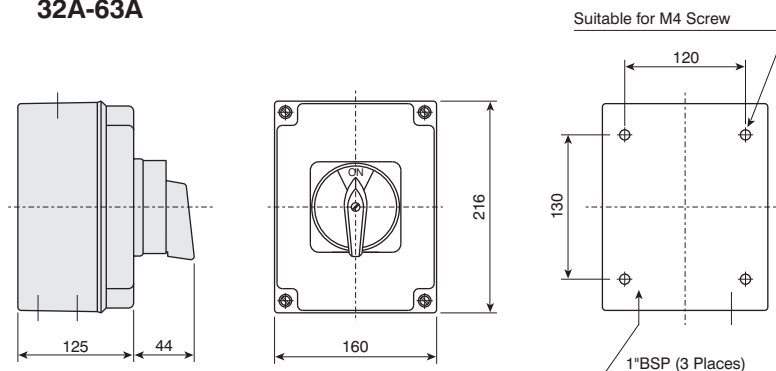


- Switch mounted in aluminium enclosure
- Degree of protection : IP65

## AB31M



### 32A-63A



Caution : Open the cover only in 'OFF' position

- Switch mounted in aluminium enclosure
- Round padlocking device (max. 3 padlocks) to prevent the Switch from being made to ON by unauthorised personnel

- Degree of protection : IP53\*
- Red / Yellow-handle Colour for Main / Emergency Switches

- Enclosure colour : Dark grey base and light grey cover
- Fourth pole can be added

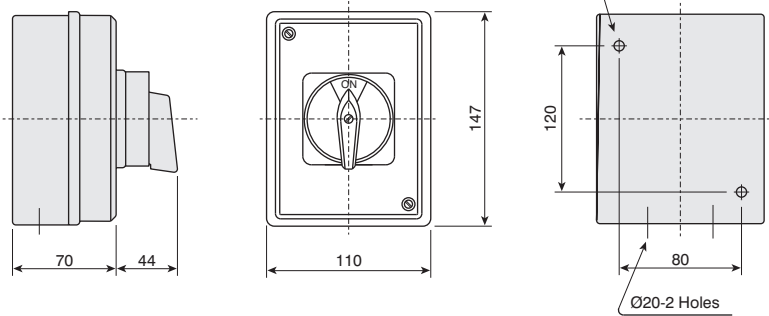
\* IP65 protection class products available on request.

# Metal Enclosure Mounting

## SB31S



### Upto 25A



Caution : Open the cover only in 'OFF' position

- Switch mounted in Steel enclosure
- Round padlocking device (max. 3 padlocks) to prevent the Switch from being made to ON by unauthorised personnel

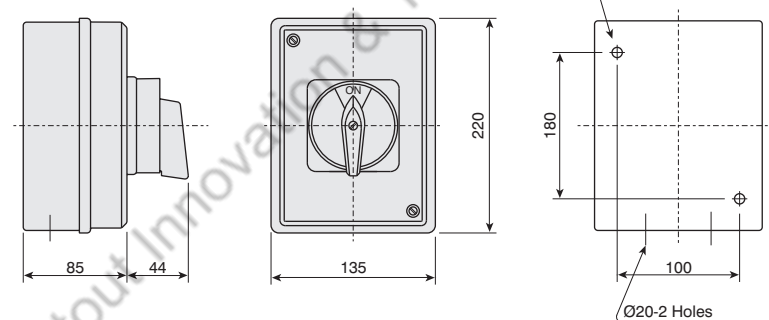
- Degree of protection : IP53\*
- Knob version available on request
- Red / Yellow-handle Colour for Main / Emergency Switches

- Enclosure colour : Dark grey base and light grey cover

## SB31M



### 32A - 63A



Caution : Open the cover only in 'OFF' position

- Switch mounted in Steel enclosure
- Round padlocking device (max. 3 padlocks) to prevent the Switch from being made to ON by unauthorised personnel

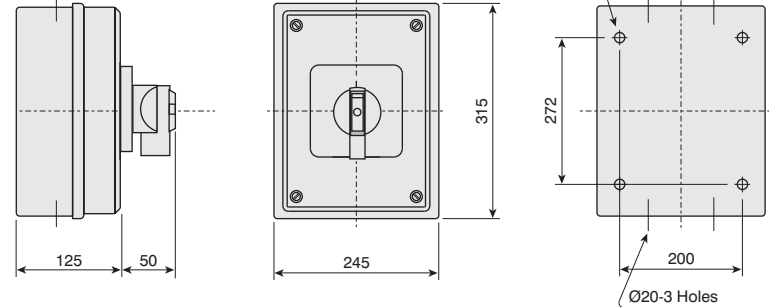
- Degree of protection : IP53
- Knob version available on request
- Red / Yellow-handle Colour for Main / Emergency Switches

- Enclosure colour : Dark grey base and light grey cover
- Fourth pole can be added

## SB31L



### 80A-125A



Caution : Open the cover only in 'OFF' position

- Switch mounted in Steel enclosure
- Round padlocking device (max. 3 padlocks) to prevent the Switch from being made to ON by unauthorised personnel

- Degree of protection : IP53
- Knob version available on request
- Red / Yellow-handle Colour for Main / Emergency Switches

- Enclosure colour : Dark grey base and light grey cover
- Fourth pole can be added

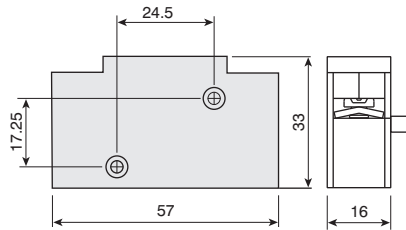
## Accessories

### Add on Main Pole (16A-63A)

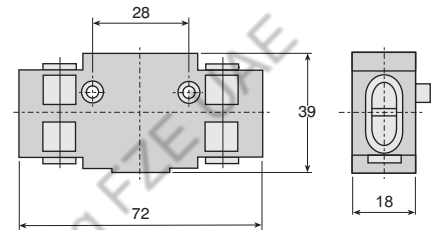


- Equivalent switch electrical rating
- Used as 4th/5th pole on either side of the switch

For Switch Code	Code for Front Mounting Switch	Code for Rear Mounting Switch
LB116	LB120	LB120
LB120	FMC20	RMC20



For Switch Code	Code for Front Mounting Switch	Code for Rear Mounting Switch
LB225	LB232	LB232
LB232	FMC32	RMC32
LB240	LB263	LB263
LB263	FMC63	RMC63

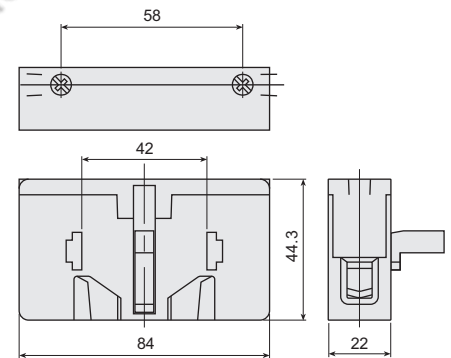


### Add on Main Pole (80A-125A)



For Switch Code	Code for Rear Mounting Switch	Code for FM Switch
LB4080	LB4125	LB4125
LB4100	RMC125	FMC125
LB4125		

- Equivalent switch electrical rating
- Used as 4th/5th pole on either side of the switch



#### Applications

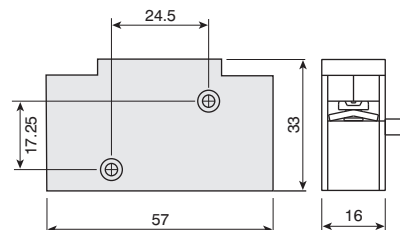
For switching action of additional pole, when mounted with the switch. The additional pole on either side of the switch can be used to switch on any single phase requirements simultaneously.

### Add on Neutral Pole (16A-63A)

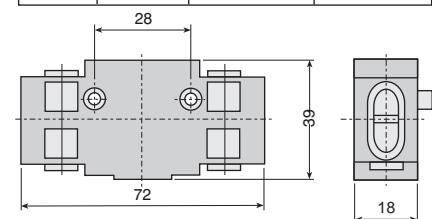


- Early make late break contact
- Can be fitted on either side of the switch

For Switch Code	Code for Front Mounting Switch	Code for Rear Mounting Switch
LB116	LB120	LB120
LB120	FNC20	RNC20



For Switch Code	Code for Front Mounting Switch	Code for Rear Mounting Switch
LB225	LB232	LB232
LB232	FNC32	RNC32
LB240	LB263	LB263
LB263	FNC63	RNC63



#### Applications

To be used as Neutral Conductor to the switch.

## Accessories


### Add-on Neutral Pole (80A-125A)

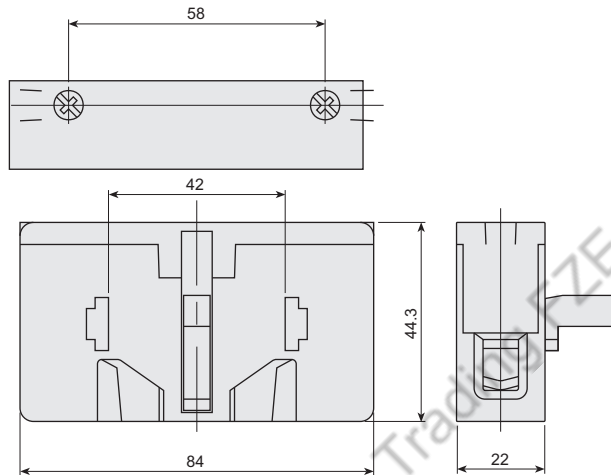


- Early make late break contact
- Can be fitted on either side of the switch

#### Applications

To be used as Neutral Conductor to the switch

	For Switch Code	Code for Rear Mounting Switch	Code for Front Mounting Switch
	LB4080	LB4125 RNC125	LB4125
	LB4100		FNC125
	LB4125		



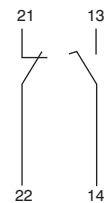
### Add-on Auxiliary Pole



- 1 NO contact early break / late make + 1 NC contact
- Can be fitted on either side of the Switch

#### Applications

Auxiliary contact module has two contacts, 'NO and NC'. 'NO' contact is early break, late make contact. This is used to trigger any auxiliary circuits.

	For Switch Code	Code for Front Mounting Switch	Code for Rear Mounting Switch
	LB116	LB120	LB120
	LB120	FAC16	RAC16
	LB225	LB263 FAC16	LB263 RAC16
	LB232		
	LB240		
	LB263	LB4125 FAC16	LB4125 RAC16
	LB4080		
LB4100			
LB4125			

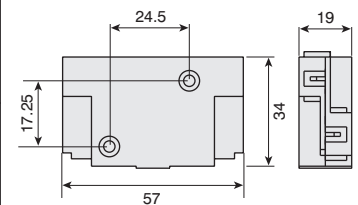
#### Rating

IEC / EN	16A, 500V	
AC-15	220-240V 380-440V	6A 4A

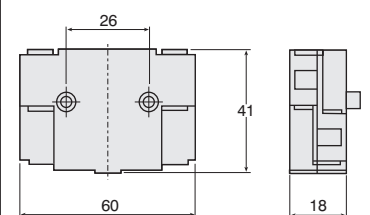
#### Terminal Cross Section

Single/Multiple strand wire	min. mm <sup>2</sup>	1.0
	max. mm <sup>2</sup>	1.5
American Wire Gauge	AWG	16

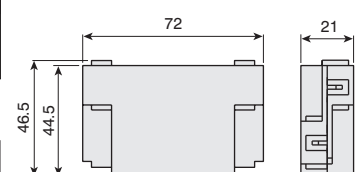
#### LB116-LB120



#### LB225-LB263



#### LB4080-LB4125



## Knobs & Handles

	<b>Code</b>	<b>Type</b>		<b>Code</b>	<b>Type</b>		
	TD	Tear Drop Knob				RD	Round Knob, Padlockable
		A B C D					
	TD <sup>1</sup>	27 41 25 21					
	TD	36 52 31 25					
	<b>Code</b>	<b>Type</b>		<b>Code</b>	<b>Type</b>		
	FL	Flag Knob				RH	Roll Handle, Padlockable
		A B C D					
	FL <sup>1</sup>	27 39 24 24					
	FL	36 50 27 25					
	<b>Code</b>	<b>Type</b>		<b>Code</b>	<b>Type</b>		
	FP	Flag Knob Padlockable				SH	Short Handle, Padlockable
		A B C D					
	FP <sup>1</sup>	27 39 24 24					
	FP	36 50 27 25					
	<b>Code</b>	<b>Type</b>		<b>Code</b>	<b>Type</b>		
	PG	Pistol Grip Handle				LH	Leech Handle, Padlockable
		A B C D					
	PG <sup>1</sup>	36 71 102 40					
	PG	36 71 102 40					
	<b>Code</b>	<b>Type</b>		<b>Code</b>	<b>Type</b>		
	BG	Ball Grip Handle				CG	CGL Handle, Padlockable
		A B C D					
	BG <sup>1</sup>	36 67 87					
	BG	36 67 87					

## LB Switches: Knob/Handle and Mounting Options

Mounting	LB116	LB120	LB225	LB232	LB240	LB263	LB4080	LB4100	LB4125
B03	FL <sup>1</sup> , TD <sup>1</sup>	FL <sup>1</sup> , TD <sup>1</sup>	FL,TD	FL,TD	FL,TD	FL,TD	-	-	-
B19	FP, FL <sup>1</sup> , TD <sup>1</sup>	FP, FL <sup>1</sup> , TD <sup>1</sup>	-	-	-	-	-	-	-
B40	FP	FP	-	-	-	-	-	-	-
B13	-	-	FL, PG, BG	FL, PG, BG	FL, PG, BG	FL, PG, BG	FL PG,BG	FL PG,BG	FL PG,BG
B30	-	-	TD, FL	TD, FL	TD, FL	TD, FL	FL	FL	FL
B33	-	-	RD	RD	RD	RD	RD	RD	RD
B63	-	-	TD, FL	TD, FL	TD, FL	TD, FL	FL	FL	FL
B23	-	-	TD, FL	TD, FL	TD, FL	TD, FL	FL,BG	FL,BG	FL,BG
MB34	FP	FP	SH, RD, CG LH, RH	SH, RD, CG LH, RH	SH, RD, CG LH, RH	SH, RD, CG LH, RH	SH, RD, CG LH, RH	SH, RD, CG LH, RH	SH, RD, CG LH, RH
MB42	FL <sup>1</sup>	FL <sup>1</sup>	BG, PG,	BG, PG,	BG, PG,	BG, PG,	BG, PG,	BG, PG,	BG, PG,
AB31S,SB31S	RD	RD	RD	RD	RD	RD	-	-	-
B31SM	FP	FP	RD	RD	RD	RD	-	-	-
B31M,AB31M,SB31M	-	-	RD	RD	RD	RD	-	-	-
B31L	-	-	-	-	-	-	RD, LH, BG, RH	RD, LH, BG, RH	RD, LH, BG, RH

The knobs/handles highlighted in red are standard, others indicates possible options.

## LB Switches: Knob/Handle, Enclosure Mounting Options

Enclosure Mounting	B31SM	B31M	B31L	SB31S	SB31M	SB31L	AB31S	AB31M
Knob/Handle	RD, FP	RD	RD, LH	RD, BG, PG, LH	RD, LH BG, PG	LH, BG PG, RD	RD, FL BG, PG	RD, LH BG, PG

The knobs/handles highlighted in red are standard, others indicates possible options.

# Changeover Switches

## Switching Programmes

Code : 31153 3 Pole Changeover

	R	Y	B	R	Y	B
I	X	X	X			
O						
II				X	X	X

Code : 31154 4 Pole Changeover

	R	Y	B	N	R	Y	B	N
I	X	X	X	X				
O								
II					X	X	X	X

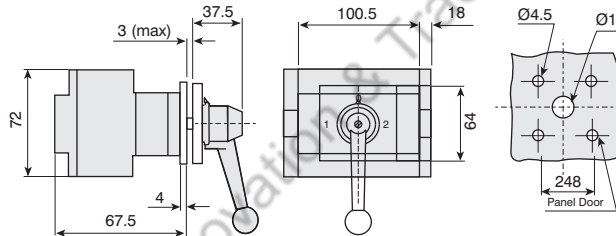
## Features

- 25A - 125A, 3 and 4 Pole, AC 23 duty
- Available with and without SS enclosure
- Different mounting options
- Excellent switching performance
- High short circuit capacity
- Door interlock and padlock available
- Provides adequate space for cable termination and very convenient for installation termination

### B13



#### 25A-63A, Front Mounting



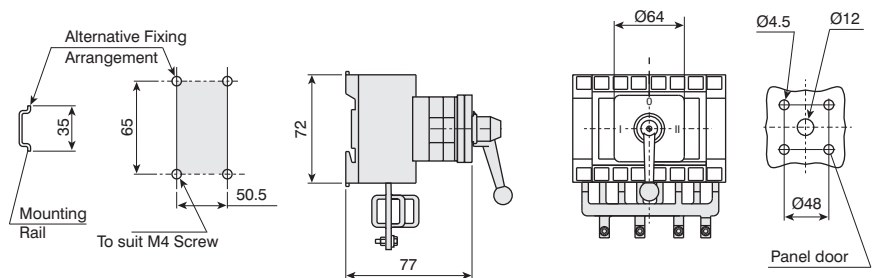
- 4 Hole front panel mounting

- Degree of protection : Front IP55

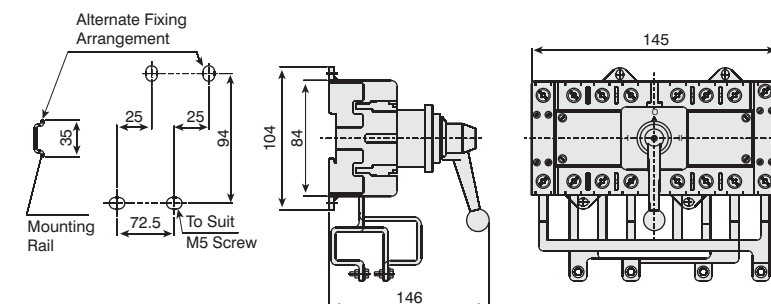
### B21



#### 25A-63A, Rear Mounting



#### 80A-125A, Rear Mounting



- 4 Hole rear mounting

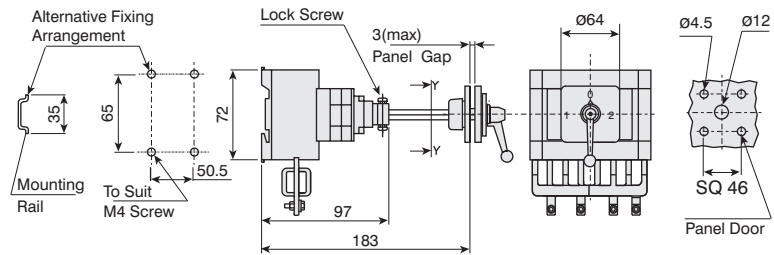
- Degree of protection : Front IP55



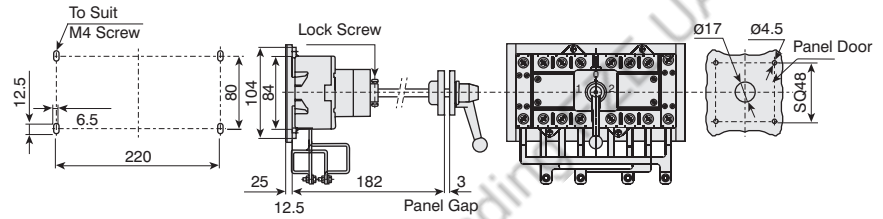
## MB42



### 25A-63A, Rear Mounting



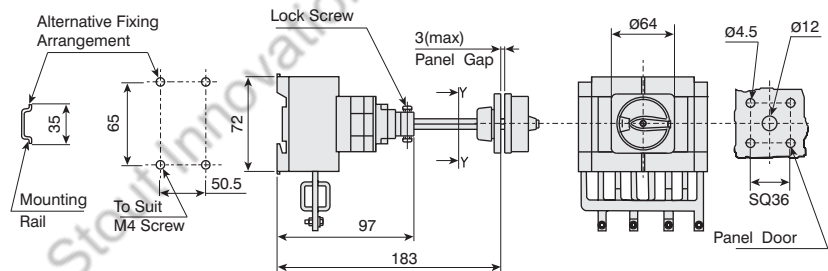
### 80A-125A, Rear Mounting



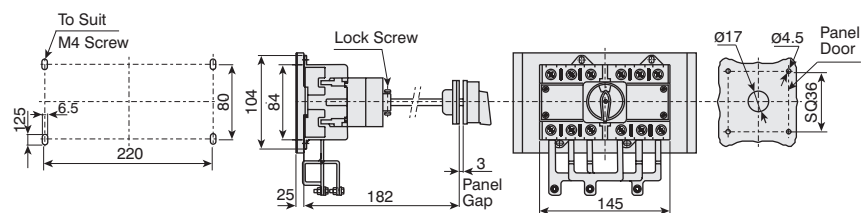
## MB34



### 25A-63A, Rear Mounting



### 80A-125A, Rear Mounting



- 2 Hole rear mounting or snap mounting on DIN EN50022 rail (35 mm) and operable from the front (door) coupled with door mechanism
- Door interlock (door operable only in OFF position)
- Degree of protection : Front IP65
- Rigid metal shaft/Switch assembly
- Switch with round padlocking device to prevent the Switch from being made ON by unauthorised persons
- Max. 3 padlocks
- Adjustable mounting by cutting the metal shaft to appropriate length to suit panel height
- Specific length of shaft can be offered on request

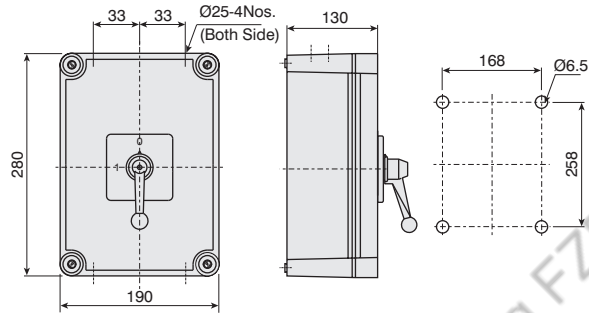
# Enclosure Changeover Switches

## Features

- 25A - 125A, 4 Pole, AC 23 duty
- Range available : 3 Pole Changeover - 31153, 3 Pole + Neutral Pole Changeover - 31154
- Powder coated steel enclosure with separate earthing or IP65, ABS enclosure having interlock to open the lid only in OFF position for safety
- Colour : Yellow front plate and Red ball grip handle

### B31L

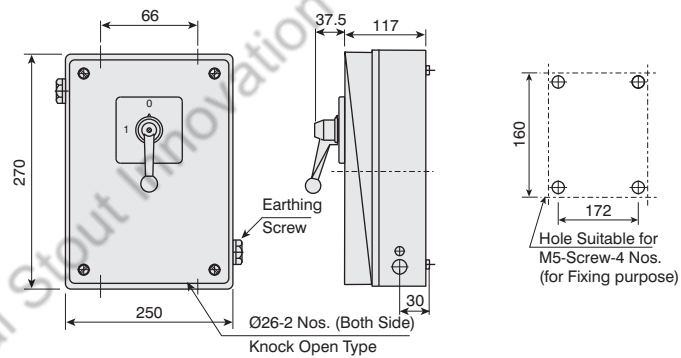
#### 25A-63A



- Switch mounted in grey ABS / Polycarbonate optional enclosure with IP65 protection and interlock provided to open the lid in OFF position

### SB31

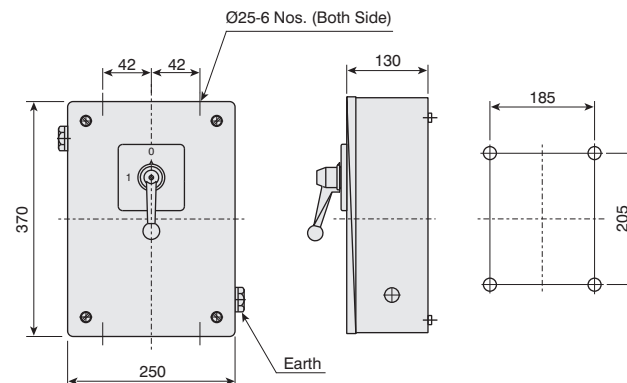
#### 25A-63A



- Powder coated steel enclosure
- Interlock provided to remove cover only in 'OFF' position for safety
- Separate earthing provided
- Colour : Yellow front plate and Red ball grip handle / grey front plate and Black ball grip handle

### SB31XL

#### 80A-125A



- Powder coated steel enclosure
- Separate earthing provided
- Interlock provided to remove cover only in 'OFF' position for safety
- Colour : Yellow front plate and Red ball grip handle / grey front plate and Black ball grip handle

## Changeover Switches: Knob/Handle and Mounting Options

Mounting	LB225	LB232	LB240	LB263	LB4080	LB4100	LB4125
B13	PG, <b>BG</b>	PG, <b>BG</b>	PG, <b>BG</b>	PG, <b>BG</b>	-	-	-
MB34	<b>RD</b>	<b>RD</b>	<b>RD</b>	<b>RD</b>	<b>RD</b>	<b>RD</b>	<b>RD</b>
MB42	PG, <b>BG</b>	PG, <b>BG</b>	PG, <b>BG</b>	PG, <b>BG</b>	PG, <b>BG</b>	PG, <b>BG</b>	PG, <b>BG</b>
B21	<b>BG</b> , PG	<b>BG</b> , PG	<b>BG</b> , PG	<b>BG</b> , PG	PG, <b>BG</b>	<b>BG</b> , PG	<b>BG</b> , PG
SB31	<b>BG</b> , PG	<b>BG</b> , PG	<b>BG</b> , PG	<b>BG</b> , PG	-	-	-
SB31XL	-	-	-	-	<b>BG</b> , PG	<b>BG</b> , PG	<b>BG</b> , PG
B31L	RD, <b>BG</b>	RD, <b>BG</b>	RD, <b>BG</b> , PG	RD, <b>BG</b> , PG	-	-	-

The knobs/handles highlighted in red are standard, others indicates possible options.

## Product Ordering Code

### Load Break and Changeover Switches

LB Load Break Switch	XXXX Switch Rating	XXXXXX Programme Code	XXXXXX Mounting Options	XX Knob Options	XX Colour
-------------------------	-----------------------	--------------------------	----------------------------	--------------------	--------------

### Example

LB Switches, 25A, 3P, 9 O'clock, 4 hole front mounting, yellow front plate, red tear drop knob

LB 225 31309 B13 TD YR

LB Switches, 63A, 3P, 9 O'clock, 4 hole front mounting, with metal shaft, yellow front plate, red round knob

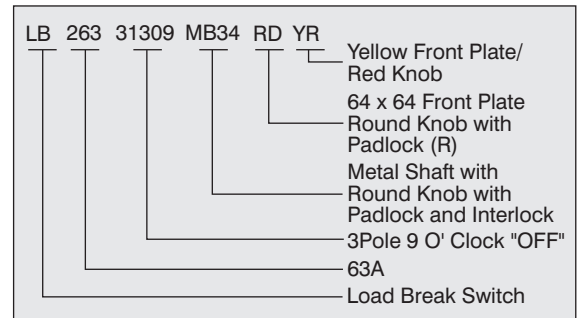
LB 263 31309 MB34 RD YR

LB Switches 40A, 3P, 12 O'clock off in B31SM enclosure, grey front plate, black round knob

LB 240 31300 B31SM RD GB

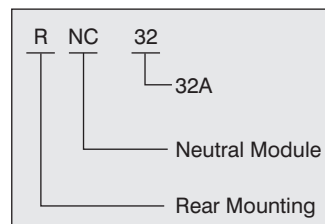
LB Changeover Switch, 63A, 3P, metal enclosure with interlock, yellow front plate, red ball grip handle

LB 263 31153 SB31 BG YR



### Accessories

X F-Front Mounting	XX MC-Main Module	XXX 20 - 16A to 20A 32 - 25A to 32A 63 - 40A to 63A 80 - 80A 125 - 100A, 125A & 80A
R-Rear Mounting	NC-Neutral Module	
	AC-Auxiliary Module	



Product improvement is continuous process. Hence, data given in this catalogue is subject to change without intimation. Please ascertain Product Certification and Listing.

## Electrical Standard Products (ESP) Branch Offices:

### REGISTERED OFFICE AND HEAD OFFICE

L&T House, Ballard Estate  
P. O. Box 278  
**Mumbai 400 001**  
Tel: 022-6752 5656  
Fax: 022-6752 5858  
Website: www.Larsentoubro.com

### ELECTRICAL STANDARD PRODUCTS (ESP)

501, Sakar Complex I  
Opp. Gandhigram Rly. Station  
Ashram Road  
**Ahmedabad 380 009**  
Tel: 079-66304007-11  
Fax: 079-26580491 / 66304025  
e-mail: esp-ahm@LNTEBG.com

38, Cubbon Road, Post Box 5098  
**Bangalore 560 001**  
Tel: 080-25020100, 25593613  
Fax: 080-25580525  
e-mail: esp-blr@LNTEBG.com

131/1, Zone II  
Maharana Pratap Nagar  
**Bhopal 462 011**  
Tel: 0755-4098706 / 7 / 8 / 9  
Fax: 0755-2769264  
e-mail: esp-bho@LNTEBG.com

Plot No. 559, Annapurna Complex  
Lewis Road  
**Bhubaneswar 751 014**  
Tel: 0674-6451342, 2436696  
Fax: 0674-2537309  
e-mail: esp-bbi@LNTEBG.com

SCO 32, Sector 26-D  
Madhya Marg, P. O. Box 14  
**Chandigarh 160 026**  
Tel: 0172-4646841 to 7  
Fax: 0172-4646802  
e-mail: esp-chd@LNTEBG.com

10, Club House Road  
**Chennai 600 002**  
Tel: 044-28462072 / 4 / 5 / 2109  
Fax: 044-28462102 / 3  
e-mail: esp-maa@LNTEBG.com

67, Appuswamy Road  
Post Bag 7156  
Opp. Nirmala College  
**Coimbatore 641 045**  
Tel: 0422-2588120 / 1 / 5  
Fax: 0422-2588148  
e-mail: esp-cbe@LNTEBG.com

L&T House, Group MIG - 5  
Padmanabhpur  
**Durg 491 001**  
Tel: 0788-2213833 / 14 / 28 / 29  
Fax: 0788-2213820

A1/11, Astronauts Avenue  
Bidhan Nagar  
**Durgapur 713 212**  
Tel: 0343-2536891 / 8952 / 7844  
Fax: 0343-2536493  
e-mail: esp-dgp@LNTEBG.com

Milanpur Road, Bamuni Maidan  
**Guwahati 781 021**  
Tel: 0361-2651297  
Fax: 0361-2551308  
e-mail: esp-gau@LNTEBG.com

II Floor, Vasantha Chambers  
5-10- 173, Fateh Maidan Road  
**Hyderabad 500004**  
Tel: 040-66720250  
Fax: 040-23296468  
e-mail: esp-hyd@LNTEBG.com

D-24, Prithvi Raj Road, C-Scheme  
**Jaipur 302 001**  
Tel: 0141-2385916 / 8  
Fax: 0141-2373280  
e-mail: esp-jai@LNTEBG.com

Akashdeep Plaza, 2nd Floor  
P. O. Golmuri  
**Jamshedpur 831 003**  
Jharkhand  
Tel: 0657-2340864 / 387  
Fax: 0657-2341250  
e-mail: esp-jam@LNTEBG.com

Skybright Bldg. M. G. Road  
Ravipuram Junction, Ernakulam  
**Kochi 682 016**  
Tel: 0484-4409420 / 4 / 5 / 7  
Fax: 0484-4409426  
e-mail: esp-cok@LNTEBG.com

3-B, Shakespeare Sarani  
**Kolkata 700 071**  
Tel: 033-44002572 / 3 / 4  
Fax: 033-22822589  
e-mail: esp-ccu@LNTEBG.com

A28, Indira Nagar, Faizabad Road  
Uttar Pradesh,  
**Lucknow 226 016**  
Tel: 0522-2312904 / 5 / 6  
Fax: 0522-2311671  
e-mail: esp-Lko@LNTEBG.com

Plot No. 518  
4th Main Road  
K. K. Nagar  
**Madurai 625 020**  
Tel: 0452-2537404, 2521068  
Fax: 0452-2537552  
e-mail: esp-mdu@LNTEBG.com

EBG North Wing Office - 2  
Powai Campus  
**Mumbai 400 072**  
Tel: 022-67052874 / 2737 / 1156  
Fax: 022-67051112  
e-mail: esp-bom@LNTEBG.com

#12, Shivaji Nagar  
North Ambazari Road  
**Nagpur 440 010**  
Tel: 0712- 2260012 / 3  
Fax: 0712- 2260020 / 30  
e-mail: esp-nag@LNTEBG.com

32, Shivaji Marg  
P. O. Box 6223  
**New Delhi 110 015**  
Tel: 011-41419514 / 5 / 6  
Fax: 011-41419600  
e-mail: esp-del@LNTEBG.com

L&T House  
P. O. Box 119  
191/1, Dhole Patil Road  
**Pune 411 001**  
Tel: 020-26135048  
Fax: 020-26124910, 26135048  
e-mail: esp-pnq@LNTEBG.com

3rd Floor  
Vishwakarma Chambers  
Majura Gate, Ring Road  
**Surat 395 002**  
Tel: 0261-2473726  
Fax: 0261-2477078  
e-mail: esp-sur@LNTEBG.com

Radhadaya Complex  
Old Padra Road  
Near Charotar Society  
**Vadodara 390 015**  
Tel: 0265- 2311744 / 6613610 / 1 / 2  
Fax: 0265-2336184  
e-mail: esp-bar@LNTEBG.com

48-8-16, Dwarakanagar  
**Visakhapatnam 530 016**  
Tel: 0891-6620411-2 / 3  
Fax: 0891-6620416  
e-mail: esp-viz@LNTEBG.com

Product improvement is a continuous process. For the latest information and special applications, please contact any of our offices listed here.



Electrical Standard Products  
Larsen & Toubro Limited  
Powai Campus, Mumbai 400 072  
**Customer Interaction Center (CIC)**  
BSNL / MTNL (toll free) : 1800 233 5858  
Reliance (toll free) : 1800 200 5858  
Tel : 022 6774 5858  
Fax : 022 6774 5859  
E-mail : cic@LNTEBG.com  
Website : www.LNTEBG.com

